

WHEELCHAIR
FAUTEUIL ROULANT
ROLSTOEL
CARROZZINA

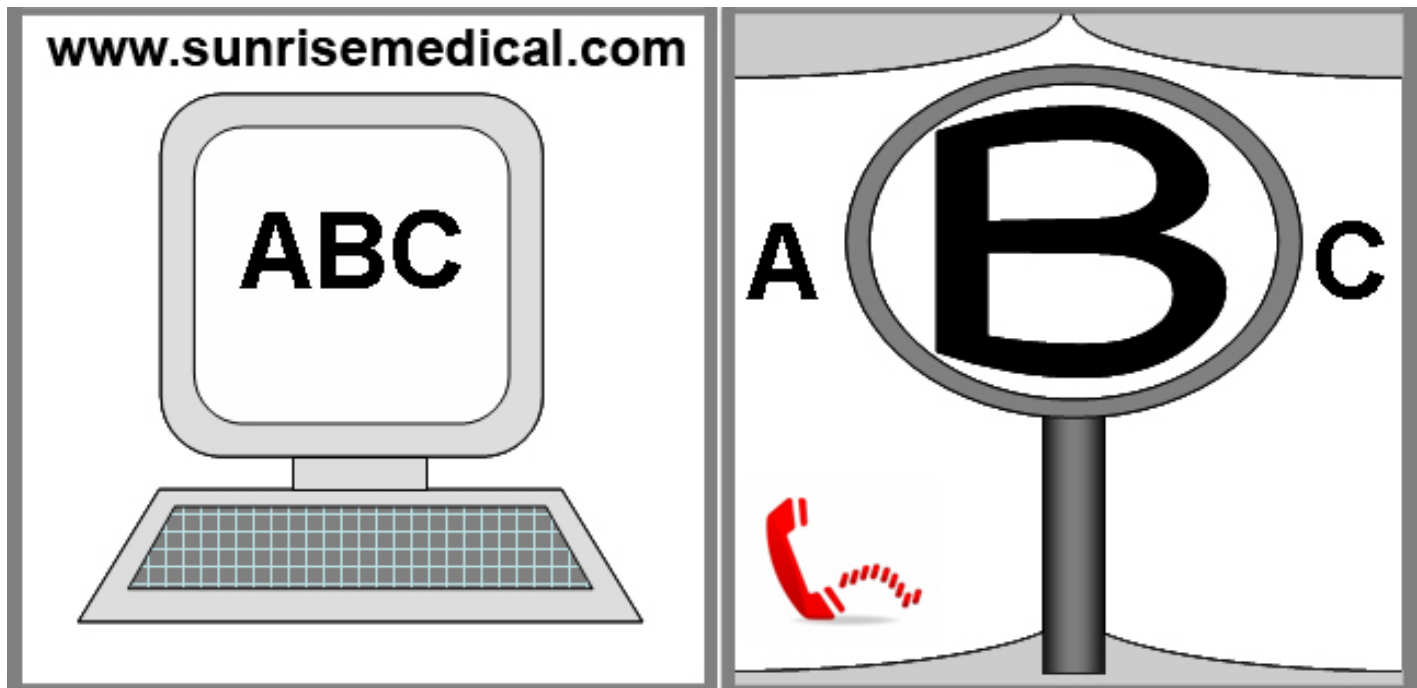


Life R

DIRECTIONS FOR USE
NOTICE D'UTILISATION
GEBRUIKSAANWIJZING
MANUALE D'USO


QUICKIE®

000690687.02



IF YOU ARE VISUALLY IMPAIRED, THIS DOCUMENT CAN BE VIEWED IN PDF FORMAT AT WWW.SUNRISEMEDICAL.COM OR ALTERNATIVELY IS AVAILABLE ON REQUEST IN LARGE TEXT.

SI VOUS ÊTES VISUELLEMENT DÉFICIENT, CE DOCUMENT PEUT ÊTRE CONSULTÉ EN FORMAT PDF À WWW.SUNRISEMEDICAL.COM OU BIEN EST DISPONIBLE SUR DEMANDE EN GROS CARACTÈRES.

ALS U EEN VISUELE HANDICAP, KAN DIT DOCUMENT WORDEN BEKEKEN IN PDF-FORMAAT OP WWW.SUNRISEMEDICAL.COM OF ALTERNATIEF IS BESCHIKBAAR OP AANVRAAG IN GROTE TEKST.

SE SIETE DISABILI VISIVI, IL PRESENTE DOCUMENTO POSSONO ESSERE VISUALIZZATE IN FORMATO PDF A WWW.SUNRISEMEDICAL.COM O IN ALTERNATIVA È DISPONIBILE SU RICHIESTA IN TESTO DI GRANDI DIMENSIONI.



Wheelchair Components

EN



We at SUNRISE MEDICAL have been awarded the ISO-9001 certificate, which affirms the quality of our products at every stage, from R & D to production. This products meet the requirements in accordance with EC guidelines. Options or accessories shown are available at extra cost.

Description du fauteuil

FR



SUNRISE MEDICAL est certifié ISO -9001, une norme qui garantit la qualité des produits à toutes les étapes, de la conception à la production, en passant par la recherche et le développement.

Ce produit est conforme aux directives de la Communauté européenne. Les options ou accessoires illustrés sont disponibles moyennant un coût supplémentaire.

Rolstoelonderdelen

NL



SUNRISE MEDICAL heeft het ISO 9001 certificaat toegekend gekregen, een bewijs van de kwaliteit van onze processen in elk stadium, vanaf het onderzoek en de ontwikkeling tot de productie.

Deze producten voldoen aan de vereisten in overeenstemming met Europese richtlijnen. Getoonde opties en accessoires zijn tegen betaling verkrijgbaar.

Componenti della carrozzina

IT



SUNRISE MEDICAL è certificata ISO 9001 a garanzia della qualità dei nostri prodotti in ogni fase del processo, dalla ricerca e sviluppo sino alla produzione.

Questo prodotto è conforme ai requisiti previsti dalle linee guida EC. Sono disponibili ulteriori opzioni o accessori a un costo aggiuntivo.

**Wheelchairs:**

1. Push handles
2. Backrest upholstery
3. Sideguard
4. Seat sling
5. Footrest
6. Castors
7. Footboard
8. Fork
9. Quick-release axle
10. Wheel locks
11. Handrim
12. Rear wheel

**Fauteuils roulants :**

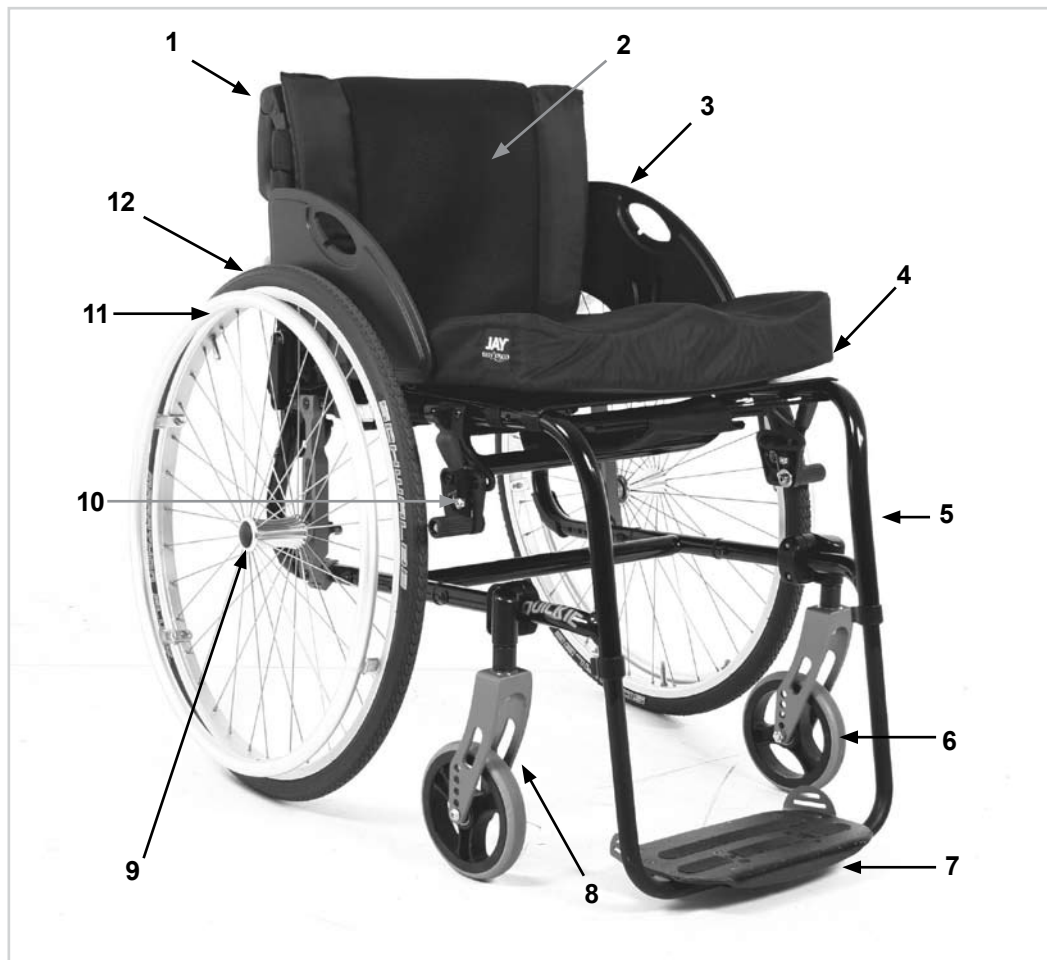
1. Poignées de poussée
2. Toile du dossier
3. Protège-vêtement
4. Toile du siège
5. Repose-pieds
6. Roues avant
7. Palette
8. Fourche
9. Axe à déverrouillage rapide
10. Freins
11. Main courante
12. Roue arrière

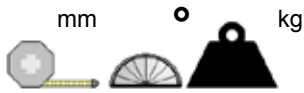
**Rolstoelonderdelen:**

1. Duwhandvatten
2. Spanbanden rug
3. Zijbescherming
4. Zittingbespanning
5. Voetsteun
6. Voorwielen
7. Voetplaten
8. Vork
9. Quick release assen
10. Wielvergrendelingen
11. Hoepel
12. Achterwiel


**Carrozzina:**

1. Manopole di spinta
2. Rivestimento schienale
3. Spondina
4. Telo seduta
5. Pedana
6. Ruote anteriori
7. Appoggiapiedi
8. Forcella
9. Asse ad estrazione rapida
10. Freni
11. Corrimano
12. Ruota posteriore





	1075 ↕ 935		720 ↕ 540		950 ↕ 750		480 ↕ 270
	500 ↕ 390		500 ↕ 360		320 ↕ 230		540 ↕ 535
	475 ↕ 250		480 ↕ 340		↕		↕
	700 ↕ 670		360 ↕ 250		830 ↕ 230		MAX mm ↕ MIN mm
	10° ↕ 10°		10° ↕ 10°		10° ↕ 10°		MAX ↕ MIN
	12° ↕ 0°		-12° ↕ 8°		120° ↕ 110°		MAX ↕ MIN
	11.0 ↕ 8.0		15.0 ↕ 11.0		125 ↕ ---		MAX kg ↕ MIN kg

"	mm	25 mm	 (cm)											
			39	40	41	42	43	44	45	46	47	48	49	50
4"	143	✓	✓		✓	✓								
		✓			✓		✓	✓						
4"	168	✓				✓	✓							
		✓								✓	✓			
5"	143	✓		✓	✓	✓								
		✓					✓	✓	✓					
5"	168	✓					✓	✓	✓					
		✓								✓	✓	✓		
6"	143	✓			✓	✓	✓	✓						
		✓						✓	✓	✓	✓			
6"	168	✓								✓	✓	✓	✓	
		✓												
7"	168	✓							✓	✓	✓	✓		
		✓										✓	✓	✓

"	(cm)										
	35	36	37	38	39	40	41	42	43	44	45
22"	✓	✓		✓	✓		✓	✓	✓		
24"				✓	✓		✓	✓	✓	✓	✓

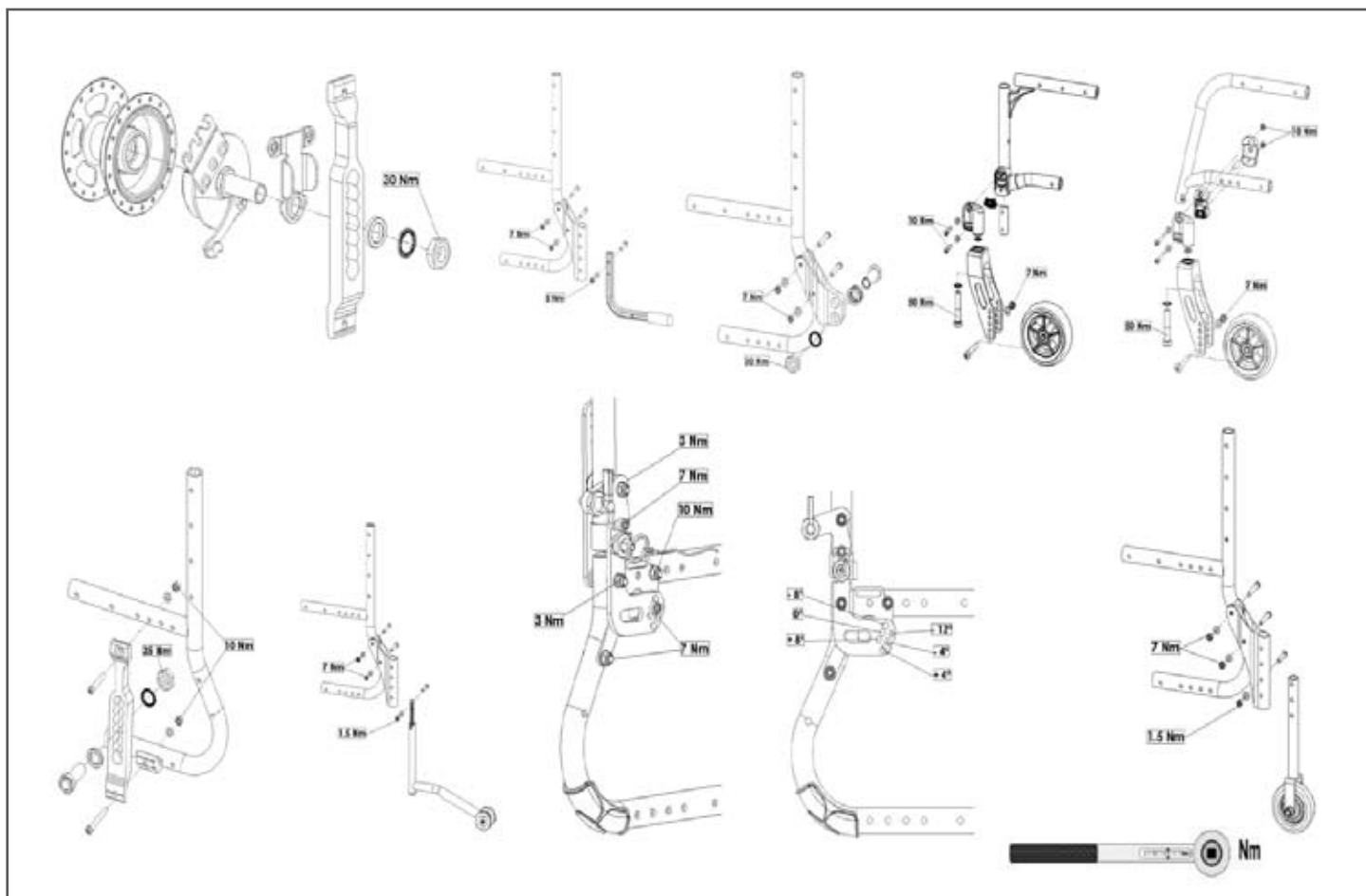


Table of Contents

Definitions	8
Foreword	9
Use	9
Area of application	9
1.0 General safety notes and driving limits	10
2.0 Warranty	11
3.0 Transportability	12
4.0 Handling	14
5.0 Transporting the chair	14
6.0 Options	14
Step Tubes	14
Brakes	14
Footboard	15
Footplate Adjustment	17
Castor	17
Angle Adjustable Backrest	18
Sideguards	18
Push Handles	20
Push handle	20
Anti-tip tubes	20
Crutch holder	20
Pelvic Restraint Belt	21
Transit wheels	22
7.0 Tyres and Mounting	22
8.0 Name Plate	22
9.0 Maintenance and care	23
10.0 Trouble shooting	23
11.0 Disposal / recycling of materials	23
12.0 Technical Data	24
13.0 Torque	24





NOTE:

The wheelchairs shown and described in this user guide may not correspond in every detail exactly to your own model. However, all instructions are completely relevant, regardless of possible detail differences.

The manufacturer reserves the right to alter without notice any weights, measurements or other technical data shown in this manual. All figures, measurements and capacities shown in this manual are approximate, and do not constitute specifications.

Definitions

3.1 Definitions of words used in this manual

Word	Definition
 DANGER!	Advice to the user of Potential Risk of serious injury or death if the advice is not followed
 WARNING!	Advice to the user of a potential risk of injury if the advice is not followed
 CAUTION!	Advice to user that potential damage to equipment may occur if the advice is not followed
NOTE:	General advice or best practice
	Reference To Additional Documentation

NOTE:

Please keep a note of your local service agent's address and telephone number in the space provided. In the event of a breakdown, contact them and try to give all relevant details so they can help you quickly.

Dealer signature and stamp

Foreword

Dear Customer,

We are very pleased that you have decided in favour of a high-quality SUNRISE MEDICAL product.

This Owner's manual will provide numerous tips and ideas so that your new wheelchair can become a trustworthy and reliable partner in your life.

For Sunrise Medical, it is very important that we have a good relationship with our customers. We like to keep you up-to-date about new and current developments at our company. Keeping close to our customers means: fast service, as little red tape as possible, working closely with customers. When you need replacement parts or accessories, or if you just have a question about your wheelchair – we are there for you.

We want you to be satisfied with our products and service. At Sunrise Medical we are constantly working to develop our products further. For this reason, changes can occur in our palette of products with regard to form, technology, and equipment. Consequently, no claims can be construed from the data or pictures contained in this Owner's manual.

The management system of SUNRISE MEDICAL is certified to EN ISO 9001, ISO 13485 and ISO 14001.



As the manufacturer, SUNRISE MEDICAL, declares that the lightweight wheelchairs conform to the 93/42/EEC / 2007/47/EEC guideline.

Please contact your local, authorised SUNRISE MEDICAL dealer if you have any questions regarding the use, maintenance or safety of your wheelchair.

In case there is no authorised dealer in your area or you have any questions, contact Sunrise Medical either in writing or by telephone.

Sunrise Medical
Thorns Road
Brierley Hill
West Midlands
DY5 2LD
Phone: 0845 605 66 88
Fax: 0845 605 66 89
www.SunriseMedical.com



DO NOT USE YOUR WHEELCHAIR UNTIL THIS MANUAL HAS BEEN READ AND UNDERSTOOD.

Use

Wheelchairs are exclusively for a user who is unable to walk or has limited mobility, for their own personal use in- and outdoor.

The maximum weight limit (includes the user and any weight of accessories fitted to the wheelchair) is marked on the serial number label, which is affixed to the crossbar or stabiliser bar below the seat.

Warranty can only be taken on if the product is used under the specified conditions and for the intended purposes. The expected life of the wheelchair is 5 years. Please DO NOT use or fit any 3rd party components to the wheelchair unless they are officially approved by Sunrise Medical.

DANGER!

- Do not fit any unauthorized electronic equipment.
- Do not fit powered or mechanically operated mobility devices, drives, hand-bike or any other device that changes the intended use or the structure of the wheelchair.
- Any combination with other medical devices requires approval directly from Sunrise Medical.

Area of application

The variety of fitting variants as well as the modular design mean that it can be used by those who cannot walk or have limited mobility because of:

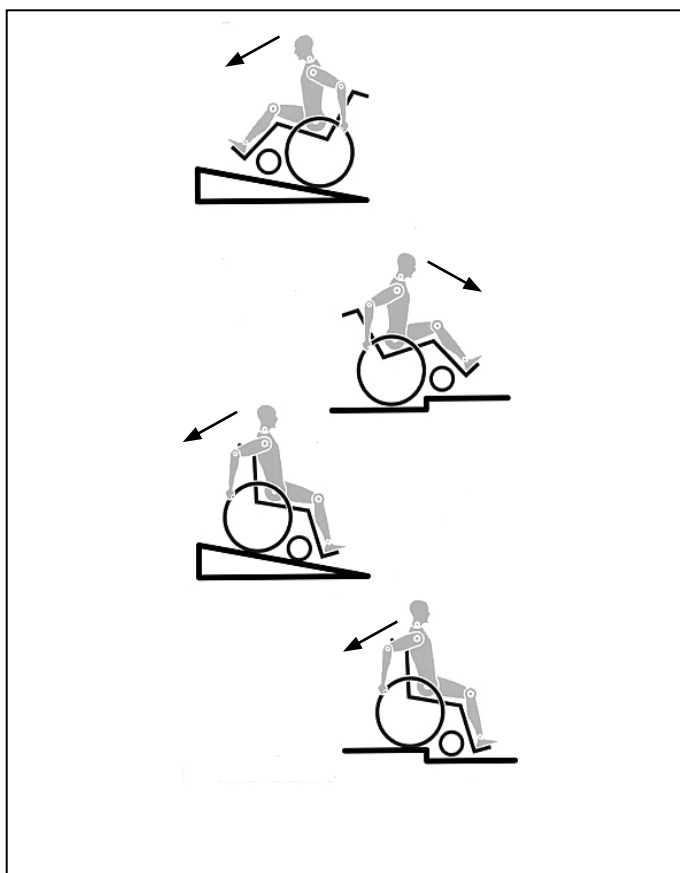
- Paralysis
- Loss of extremity (leg amputation)
- Extremity defect deformity
- Joint contractures/joint injuries
- Illnesses such as heart and circulation deficiencies, disturbance of equilibrium or cachexia as well as for elderly people who still have strength in the upper body.

When considering provision, please also note the body size, weight, physical and psychological constitution, the age of the person, living conditions and environment.

Operating Conditions

The wheelchair can be used indoors as well as outdoors in self-propelled or attendant configurations, on dry, firm, relatively smooth surfaces. It is not recommended for use in a storm, torrential rain, snow and ice or other extreme weather conditions.

1.0 General safety notes and driving limits



The engineering and construction of this wheelchair has been designed to provide maximum safety. International safety standards currently in force have either been fulfilled or exceeded in parts. Nevertheless, users may put themselves at risk by improperly using their wheelchairs. For your own safety, the following rules must be strictly observed.

Unprofessional or erroneous changes or adjustments increase the risk of accident. As a wheelchair user, you are also part of the daily traffic on streets and pavements, just like anyone else. We would like to remind you that you are therefore also subject to any and all traffic laws.

Be careful during your first ride in this wheelchair. Get to know your wheelchair.

Before each use, the following should be checked:

- Quick-release axles on the rear wheels
- Velcro on seats and backrests
- Tyres, tyre pressure and wheel locks.

Before changing any of the adjustments of this wheelchair, it is important to read the corresponding section of the user's manual.

It is possible that potholes or uneven ground could cause this wheelchair to tip over, especially when riding uphill or downhill. When riding over a step or up an incline frontally, the body should be leaning forward.

⚠ DANGER!

- NEVER exceed the maximum load of 125 kg, (100kg with handbike axle), for driver plus any items carried on the wheelchair. If you exceed the maximum load, this can lead to damage to the chair, or you may fall or tip over, lose control and may lead to serious injury of the user and other people.

- When it is dark, please wear light clothing or clothing with reflectors, so that you can be seen more easily. Make sure that the reflectors on the side and back of the wheelchair are clearly visible. We would also recommend that you fit an active light..
- To avoid falls and dangerous situations, you should first practice using your new wheelchair on level ground with good visibility.
- When getting on or off the wheelchair, do not use the footboards. These should be flipped up beforehand and swung to the outside as far as possible. Always position yourself as close as possible to the place where you wish to sit.
- Only use your wheelchair properly. For example, avoid travelling against an obstacle without braking (step, kerb edge) or dropping down gaps.
- The wheel locks are not intended to brake your wheelchair. They are only there to ensure that your wheelchair does not begin rolling unintentionally. When you stop on uneven ground, you should always use the wheel locks to prevent such rolling. Always apply both wheel locks; otherwise, your wheelchair could tip over.
- Explore the effects of changing the centre of gravity on the behaviour of the wheelchair, for example on inclines, slopes, all gradients or when overcoming obstacles. Do this with the secure aid of a helper.
- With extreme settings (e.g. rear wheels in the most forward position) and less than perfect posture, the wheelchair may tip over even on a level surface.
- Lean your upper body further forward when going up slopes and steps.
- Lean your upper body further back when going down slopes and steps. Never try to climb and descend a slope diagonally.
- Avoid using an escalator which may lead to serious injury in the event of a fall.
- Do not use the wheelchair on slopes $> 10^\circ$. The Dynamic safe slope is dependant on the chair configuration, the users abilities and the style of riding. As the users abilities and style of riding cannot be pre-determined then the max safe slope cannot be determined. Therefore this must be determined by the user with the assistance of an attendant to prevent tipping. It is strongly recommended that inexperienced users have Ant-tips fitted.
- It is possible that potholes or uneven ground could cause this wheelchair to tip over, especially when riding uphill or downhill.
- Do not use your wheelchair on muddy or icy ground. Do not use your wheelchair where pedestrians are not allowed.
- To avoid hand injuries do not grab in between the spokes or between the rear wheel and wheel lock when driving the wheelchair.
- In particular when using lightweight metal handdrims, fingers will easily become hot when braking from a high speed or on long inclines.
- Only attempt stairs with the help of an attendant. There is equipment available to help you, e.g. climbing ramps or lifts, please use them. If there is no such equipment available, then the wheelchair must be tipped and pushed, never carried, over the steps (2 helpers). We recommend that users over 100 kg in weight do not use this stairway manoeuvre!
- In general, any anti-tip tubes fitted must be set beforehand, so that they cannot touch the steps, as otherwise this could lead to a serious tumble. Afterwards the anti-tip tubes must be set back to their correct position.
- Make sure that the attendant only holds the wheelchair using securely mounted parts (e.g. not on the footrests or the sideguards).

- When using the lifting ramp make sure that the anti-tip tubes fitted are positioned outside the danger area.
- Secure your wheelchair on uneven ground or when transferring (e.g. into a car) by using the brakes.
- If and whenever possible, during a journey in a specially fitted vehicle for disabled people, vehicle occupants should use the seats in the vehicle and the appropriate restraint system. This is the only way to ensure that occupants will have the maximum protection if there is an accident. When using safety elements offered by SUNRISE MEDICAL and using a specially designed safety system, lightweight wheelchairs can be used as a seat when being transported in a specially fitted vehicle. (See the Chapter on "Transportation").
- Depending on the diameter and setting of the castors, as well as the centre of gravity setting of the wheelchair, the castors may begin to wobble at high speeds. This can lead to the castors being blocked and the wheelchair may tip over. Therefore, please make sure that the castors are adjusted correctly (see the Chapter "Castors"). In particular, do not travel on an incline without brakes, travel at a reduced speed. We recommend that novice users use anti-tip tubes.
- Anti-tip tubes should prevent the chair tipping over backwards unintentionally. Under no circumstances should they take the place of transit wheels, and be used to transport a person in a wheelchair with the rear wheels removed.
- When reaching for objects (which are in front of, to the side or behind the wheelchair) make sure that you do not lean too far out of the wheelchair, as if you change the centre of gravity there is a risk of tipping or rolling over. The hanging of additional load (back pack or similar items) onto your chair backposts can affect the rearward stability of your chair, especially when used in combination with recliner backrests. This can cause the chair to tip backwards causing injury.
- For thigh amputees you must use anti-tip tubes.
- Before setting off, check that your tyre pressure is correct. For rear wheels it should be at least 3.5 bar (350 kPa). The max. pressure is indicated on the tyre. The knee-lever brakes will only work if there is sufficient tyre pressure and if the correct setting has been made (see the Chapter on "Brakes").
- If the seat and back sling are damaged, you must replace them immediately.
- Be careful with fire, in particular with burning cigarettes. Seat and back slings can be set alight.
- If the wheelchair is subject to direct sunlight for a long period of time, then parts of the wheelchair (e.g. frame, legrests, brakes and sideguard) may become hot (>41°C).
- Always make sure that the quick-release axles on the rear wheels are set properly and lock in. If the button on the quick-release axle is not pressed in, the rear wheel cannot be removed.

WARNING !

- The effect of the knee-lever brake as well as the general driving characteristics are dependant on tyre pressure. The wheelchair is significantly lighter and easier to manoeuvre when the rear wheels are pumped up correctly and both wheels have the same pressure.
- Make sure that your tyres have sufficient tread! Please note that you are subject to any and all traffic laws when driving in public traffic.
- Always be careful with your fingers when working or adjusting the wheelchair!

The products shown and described in this manual may not be exactly the same in every detail as your own model. However, all instructions are still entirely relevant, irrespective of detail differences.

The manufacturer reserves the right to alter without notice any weights, measurements or other technical data shown in this manual. All figures, measurements and capacities shown in this manual are approximate and do not constitute specifications.

2.0 Warranty

Guarantee

THIS IN NO WAY AFFECTS YOUR STATUTORY RIGHTS.

Warranty conditions

1) The repair or replacement must be carried out by an authorised Sunrise Medical dealer/service agent.

2) To apply the warranty conditions, should your product require attention under these arrangements, notify the designated Sunrise Medical service agent immediately giving full information about the nature of the difficulty. Should you be operating the product away from the locality of the designated Sunrise Medical service agent work under the "Warranty Conditions" will be carried out by any other service agent designated by the manufacturer.

3) Should any part of the wheelchair require repair or replacement, as a result of a specific manufacturing or material defect, within 24 months, (5 years on frame and cross-brace), from the date on which the possession of the product was transferred to the original purchaser, and subject to it remaining within that ownership, the part or parts will be repaired or replaced completely free of charge if returned to the authorised service agent.

NOTE: This guarantee is not transferable.

4) Any repaired or replaced part will benefit from these arrangements for the balance of the warranty period applicable to the wheelchair.

5) Parts replaced after the original warranty has expired are covered for a further 12 months.

6) Items of a consumable nature will not generally be covered during the normal warranty period, unless such items have clearly suffered undue wear as a direct result of an original manufacturing defect. These items include amongst others upholstery, tyres, inner tubes, and similar parts.

7) The above warranty conditions apply to all product parts for models purchased at full retail price.

8) Under normal circumstances, no responsibility will be accepted where the product has required repair or replacement as a direct result of:

- a) The product or part not having been maintained or serviced in accordance with the manufacturer's recommendations, as stated in the Owner's Manual and / or Service Manual. Failing to use only the specified original equipment parts.
- b) The product or part having been damaged by neglect, accident or improper use.
- c) The product or part having been altered from the manufacturer's specifications, or repairs having been attempted prior to the service agent being notified.
- d) If the product has corrosion due to incorrect maintenance

3.0 Transportability

DANGER!

There is a risk of serious injury or death if this advice is ignored!

Transportation of your wheelchair within a vehicle:

A wheelchair secured in a vehicle will not provide the equivalent level of safety and security as a vehicle seating system. It is always recommended that the user transfers to the vehicle seating. It is recognised that this is not always practical for the user to be transferred and in these circumstances, where the user must be transported whilst in the wheelchair, the following advice must be followed:

1. Confirm that the vehicle is suitably equipped to transport a passenger in a wheelchair, and ensure the method of access/egress is suitable for your wheelchair type. The vehicle should have the floor strength to take the combined weight of the user, the wheelchair and accessories.
2. Sufficient space should be available around the wheelchair to enable clear access to attach, tighten and release the wheelchair and occupant tie down restraints and safety belts.
3. The occupied wheelchair must be located in a forward facing position and secured by the wheelchair tie down and occupant restraint straps (WTORS tie downs meeting the requirements of ISO 10542 or SAE J2249) in accordance with the WTORS manufacturer's instructions.
4. The wheelchair's use in other positions within a vehicle has not been tested e.g. transportation in a side facing position must not be carried out under any circumstances (Fig. A).
5. The wheelchair should be secured by a Tie Down Restraint system, conforming to ISO 10542 or SAE J2249 with non-adjustable front straps and adjustable rear straps, which typically use Karabiner clips/S hooks and tongue and buckle fittings. These restraints generally comprise of 4 individual straps that are attached to each corner of the wheelchair.
6. The tie-down restraints should be fitted to the main frame of the wheelchair as indicated in the diagram on the following page, and not to any attachments or accessories, e.g. not around the spokes of wheels, brakes or footrests.

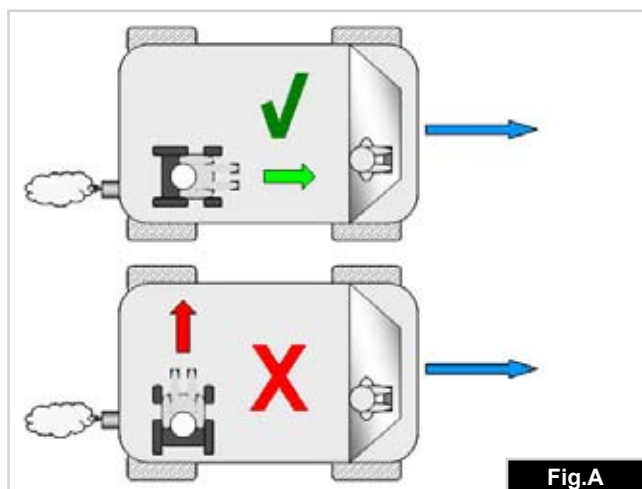


Fig.A

7. The tie-down restraints should be attached as close as possible at an angle of 45 degrees and tightened securely in accordance with the manufacturer's instructions.

8. Alterations or substitutions must not be made to the wheelchair securement points or to structural and frame or components without consulting the manufacturer. Failure to do so will invalidate the ability of a Sunrise Medical wheelchair to be transported within a vehicle.

9. Both pelvic and upper torso restraint belts must be used to restrain the occupant to reduce the possibility of head and chest impacts with the vehicle components and serious risk of injury to the user and other vehicle occupants. (Fig B) The upper torso restraint belt should be mounted to the vehicle "B" pillar - failure to do so will increase the risk of serious abdominal injuries to the user.

10. A head restraint suitable for transportation (see label on headrest) must be fitted and suitably positioned at all times during transportation.

11. Postural supports (lap straps, lap belts) should not be used or relied on for occupant restraint in a moving vehicle unless they are labelled as meeting the requirements specified in ISO 7176-19:2001 or SAE J2249.

12. The safety of the user during transportation depends upon the diligence of the person securing the tie-down restraints and they should have received appropriate instructions and/or training in their use.

13. Wherever possible remove and stow safely away from the wheelchair all auxiliary equipment, for example: Crutches, Loose cushions and Tray Tables.

14. Articulating/elevating leg rest should not be used in the elevated position when the wheelchair and user are being transported and the wheelchair is restrained using Wheelchair Transport and Occupant Restraints.

15. Reclining backrests should be returned to an upright position.

16. The manual brakes must be firmly applied.

17. Restraints should be mounted to the vehicle "B" pillar and should not be held away from the body by wheelchair components such as armrest or wheels.

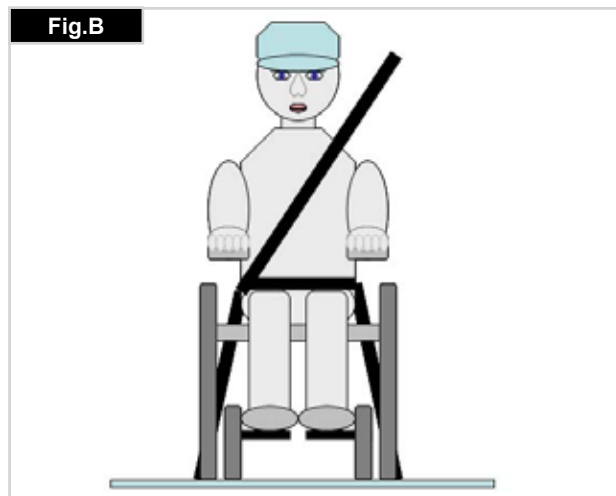


Fig.B

Transportability

Occupant Restraints Instruction:

1. The pelvic restraint belt must be worn low across the front of the pelvis so that the angle of the pelvic belt is within the preferred zone of 30 to 75 degrees to the horizontal. A steeper (greater) angle within the preferred zone is desirable i.e. closer to, but never exceeding 75degrees. (Fig C)

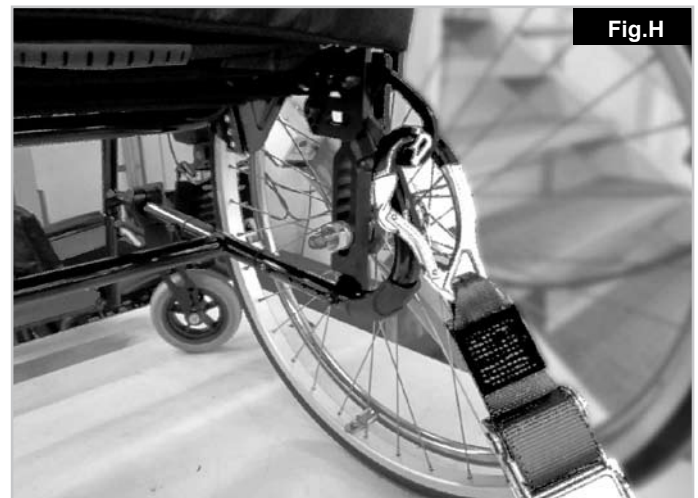
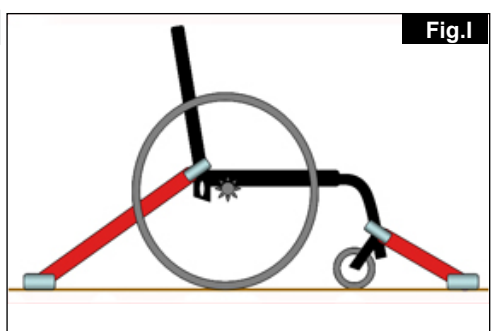
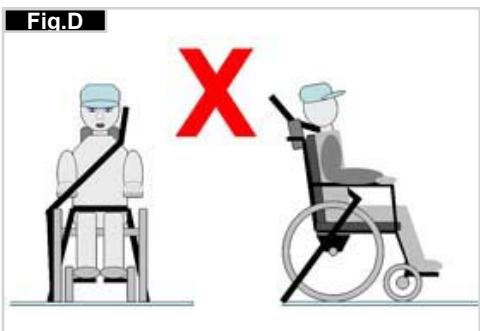
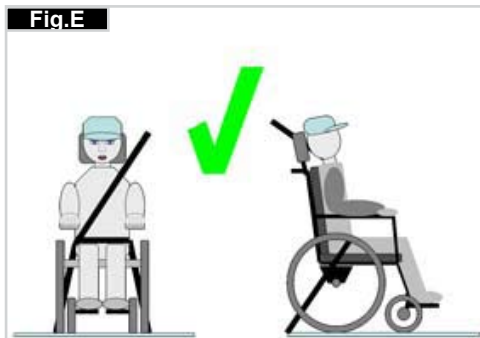
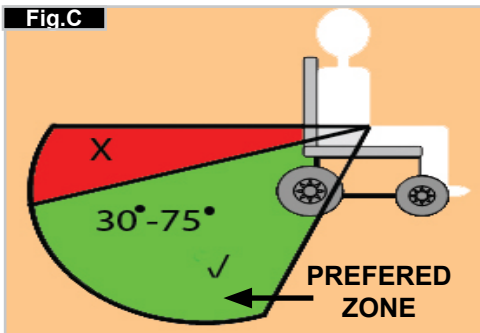
2. The upper torso restraint belt must fit over the shoulder and across the chest as illustrated Fig d and e
 Restraint belts must be adjusted as tightly as possible consistent with user comfort.
 Restraint belt webbing must not be twisted when in use.
 The upper torso restraint belt must fit over the shoulder and across the shoulder as illustrated in Fig D and E.

3. The attachment points to the chair are the inner front side frame just above the castor, and the rear side frame. The straps are fitted around the side frames at the intersection of the horizontal and vertical frame tubes. (See Figs G-H-I)

4. The tie down symbol (Fig F) on the wheelchair frame indicates the position of the wheelchair restraint straps. The straps are then tensioned after the front straps have been fitted to secure the wheelchair.

Positioning of wheelchair tie down restraints on wheelchair:

1. Location of the front and rear tie down labels (Fig.G - H).
2. Side view diagram of tie down straps, (Fig.K).



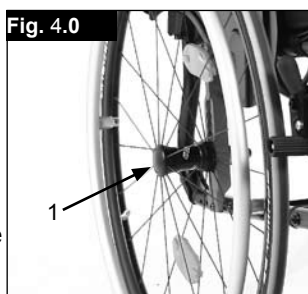
4.0 Handling

Quick-release axles on rear wheel

The rear wheels are equipped with quick-release axles.

The wheels can, therefore, be installed or removed without using tools.

To remove a wheel, simply depress the quick-release button on the axle (1) and pull it out (Fig.3.0).



⚠ CAUTION !

Hold the quick-release button on the axle depressed when inserting the axle into the frame to mount the rear wheels. Release the button to lock the wheel in place. The quick-release button should snap back to its original position

5.0 Transporting the chair

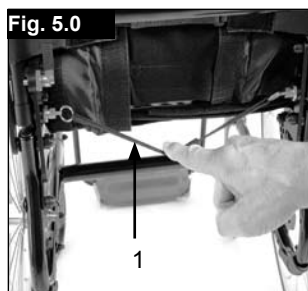
Transporting The Chair

Removing the rear wheels will keep the chair as compact as possible. The backrest can be folded down by pulling the cord (1) located on the backrest (Fig. 5.0 + 5.1).

To return the backrest to its upright position, pull the backrest up fully until it clicks and locks on both sides.

⚠ WARNING!

Check that the backrest is firmly locked into place before using the wheelchair.



6.0 Options

Step Tubes

Step tubes are used by attendants to push a wheelchair over an obstacle. Simply step on the tube to push a wheelchair, for example, over a kerb or step, (Fig.5.0).

⚠ CAUTION !

Sunrise Medical strongly recommends the use of a step tube on any model where attendant use is the predominant intended use. Damage to the backposts may occur if you constantly use the backpost without a step tube, as a lever to pull back on to tip the wheelchair.

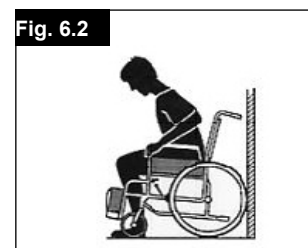
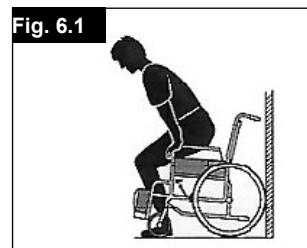


Getting into your wheelchair on your own

- Push the wheelchair to a wall or a solid piece of furniture;
- Apply the brakes;
- The user can lower themselves into the wheelchair;
- Then position the feet in front of the heel straps (Fig. 6.1).

Getting out of your wheelchair on your own

- Apply the brakes;
- With one hand on the wheel or sideguard, the person should lean forwards slightly, to transfer the body weight to the front edge of the seat and then push up to an upright position with both feet firmly on the floor and one foot behind the other (Fig. 6.2).



Brakes

⚠ CAUTION !

Braking power can be affected by incorrect fitting and adjustment of the brakes, as well as tyre pressure which is too low.

Wheel Locks

Your wheelchair is equipped with two wheel locks. They are applied directly against the tyres. To engage, press both brake levers forward against the stops. To release the locks, pull the levers back to their original positions.

Braking power will decrease with:

- Worn tyre tread
- Tyre pressure that is too low
- Wet tyres
- Improperly adjusted wheel locks.

The wheel locks have not been designed to be used as brakes for a moving wheelchair. The wheel locks should therefore never be used to brake a moving wheelchair. Always use the hand-rims for braking. Make sure that the gap between the tyres and wheel locks complies with given specifications. To re-adjust, loosen the screw and set the appropriate gap. Then re-tighten the screw (Fig. 6.3 and 6.4).

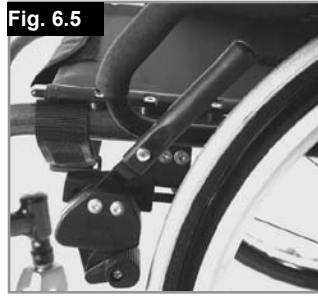


⚠ CAUTION !

After each adjustment of the rear wheels, check the wheel lock gap and re-adjust if necessary.

Brake Lever Extension

The longer lever helps to minimise the effort needed to set the wheel locks. The brake lever extension is screwed to the brakes. By raising this, it can be flipped forward (Fig. 6.5).



⚠ CAUTION !

Mounting the wheel lock too close towards the wheel will result in a higher effort to operate. This might cause the brake lever extension to break!

Leaning onto the brake lever extension while transferring will cause the lever to break! Splashing water from tyres might cause the wheel lock to malfunction.

⚠ CAUTION !

Incorrect mounting of the wheel lock will result in a higher effort to operate. This might cause the wheel lock extension lever to break.



Compact Brakes

Compact brakes are underneath the seat sling and are operated by pulling the brakes towards the rear, in the direction of the tyre. For the brakes to work properly, this must be pulled until it reaches the stops, (Fig.6.6).

Drum Brakes

Drum brakes permit safe and convenient braking for an attendant. They can also be set with the aid of a locking lever (1) to prevent rolling. This lever must snap audibly into place. Drum brakes do not independent on the aid of air pressure inside the tires. Your wheelchair cannot be moved when the drum brakes are set, (Fig.6.6.1).



Footboard

Footrest - Aluminium

There are several footboards available. These can be flipped up to make it easier to transfer to/from the chair.



Lower leg length (Fig.6.7)

By undoing the clamp screw (1), you can adjust the lower leg length. Loosen the clamp screw, adjust the tube with the footboard to the desired position. Tighten clamp screws again (see the page on torque). Ensure that the plastic push joint is located under the clamp screw in the correct position. Ensure that the plastic push joint is located under the clamp screw in the correct position.

Footrest - Aluminium

There are several footboards available. These can be flipped up to make it easier to transfer to/from the chair.

Angle-Adjustable Footboard

The footboard can be flipped up to make it easier to transfer to and from the chair, (Fig.6.8 - 6.10). It can be adjusted to alter the angle to the ground. Tighten screw (1) on the outside. By loosening the clips (2) the footboard can be moved to three positions both forwards and backwards. By adjusting the set screw (3) the footboard can be changed to a horizontal position. To do this, the footboard must be flipped up. Make sure that after any adjustment work, all screws are tightened correctly (see the page on torque). Ensure that you maintain the minimum gap to the floor (2.5 cm).

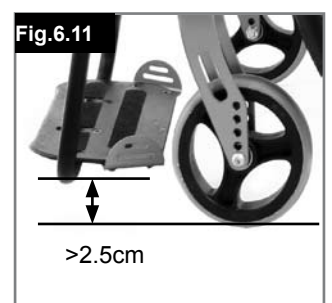
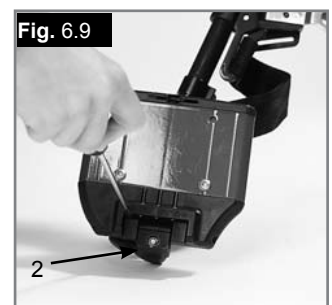
Footrest - Plastic

Footplates:

The footplates can be flipped up to make it easier to transfer to/from the chair.

Lower leg length:

For users with longer legs, the leg support can be lowered to the appropriate level by using the screws. Loosen the screws, push the tubes to the desired position and then re-tighten the screws (see section on torque). There must always be a minimum gap of 2.5 cm between the footplates and the ground. (Fig. 6.11)



Footboard

Angle-Adjustable Footboard

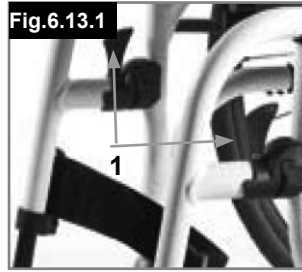
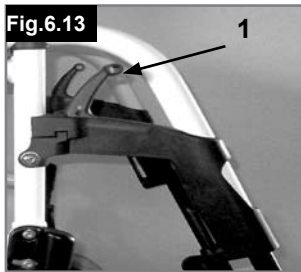
It can be adjusted to alter the angle to the ground. Release screw, pull it inwards, set the desired angle and then push it on. After making the adjustment, re-tighten the screw. Make sure that after any adjustment work, all screws are tightened correctly (see the page on torque). Ensure that you maintain the minimum gap to the floor (2.5 cm) (Fig. 6.12).



Hanger And Latch

The legrests can be swung inwards under the seat sling or outwards.

When fitting the legrests, the footrests must be pointing inwards or outwards. Then rotate the legrest inwards, until it locks into place. To remove, pull the lever (1), swing the hanger inwards or outwards and then lift the leg rest out. Make sure that the leg rest is locked into place correctly (Fig. 6.13-6.13.1).



⚠ WARNING!

- The legrests should not be used to lift or to carry the wheelchair.
- When getting on or off the wheelchair, do not use the footboards. These should be flipped up beforehand and be swung to the outside as far as possible.

Option Elevating legrest

(Fig.6.14-6.16)

To remove, pull the lever (1), swing the footplate outwards and then lift the legrest out.

Height Adjustment:

The lower leg length can be adjusted infinitely by releasing the screw (2). Adjust the suitable height and tighten the screw again.

⚠ CAUTION!

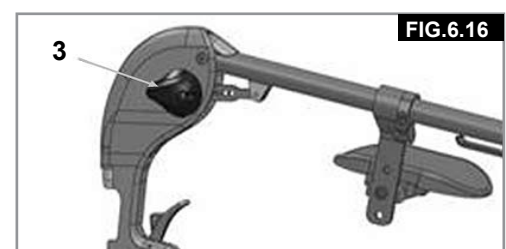
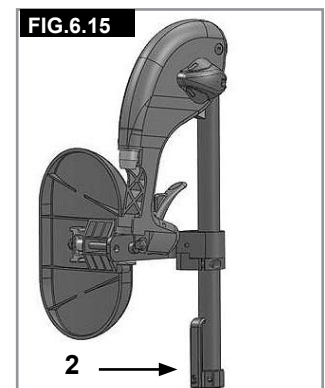
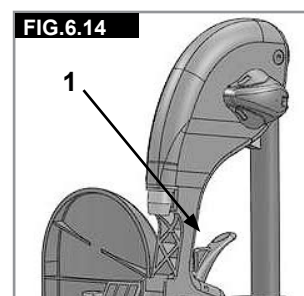
The distance between the footplate and the ground must be at least 40 mm.

Angle Adjustment:

Press the lever (3) downward with one hand while supporting the legrest with the other hand to take the load off. When a suitable angle is achieved, let go of the lever and the legrest will lock into one of the preset positions.

⚠ WARNING!

- Keep hands clear of the adjustment mechanism between the frame and the movable parts of the footrest while elevating or lowering the footrest.
- The footrests should not be used to lift or to carry the wheelchair.
- Risk of trapping fingers!
- When moving the footrest up or down, do not put your fingers in the adjusting mechanism between the moving parts of the footrest.



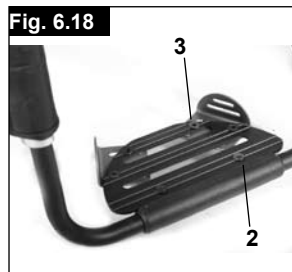
Footplate Adjustment

Adjusting The Footrest

WARNING!

- **Attendant:** Do not stand on the footboard! Even if the user is sitting in the chair, there is still a risk of tipping over and injury.
- **User:** When transferring, do not stand on the footboard, there is a risk of tipping over and injury.

Releasing the screw (1) will allow you to adjust the footrest to correspond to the length of your lower leg and re-attach the footrest. The angle of the footrest may be individually adjusted by loosening screws (2). The side protection (3) on the footrest prevents the feet slipping off accidentally. Make sure that after any adjustment work, all screws are tightened correctly (see the page on torque) (Fig. 6.17 - 6.18).



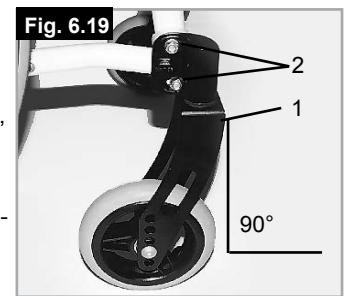
Lightweight footrest

The footrest angle can be adjusted by loosening the screws (2). Side protection panels can be fitted to the footrest using the mounting holes (3). These prevent the feet slipping off accidentally, (Fig. 6.18.1). Make sure that after any adjustment work, all screws are tightened correctly (see the page on torque).



Castor

Castor, Castor adapter, Castor fork (Fig.6.19)



From time to time the wheelchair may veer slightly to the right or left, or the castors may flutter.

This may be caused by the following:

- The forward or reverse wheel motion has not been set properly.
- The castor angle has not been adjusted properly.
- Castor and/or rear wheel air pressure is incorrect; wheels do not turn smoothly.

The optimum adjustment of the castors is required so that the wheelchair runs in a straight line. The castors should always be adjusted by an authorised dealer.

The castor plates must be re-adjusted, and the wheel locks must be checked any time the rear wheel position has been altered. Check the setting of the castor adapter (1) by placing a set-square next to it and looking at it from the front. Make sure that the adapter is at right angles to the floor. By undoing the screws (2) and moving the adapter, you can then re-adjust the wheels to their optimum position, by adjusting the corresponding teeth segments. Make sure that after any adjustment work, all screws are tightened correctly (see the page on torque).

Angle Adjustable Backrest

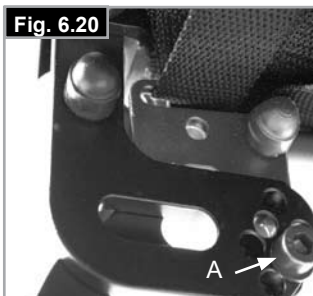
Angle-adjustable fixed back (Fig.6.20)

To adjust the backrest:

- Remove studs "A", on both sides.
- Swivel the brackets to the desired position.
- Refit the studs "A" and tighten.

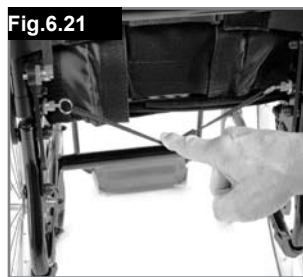
CAUTION!

All screws must be refitted and tightened correctly to avoid unexpected movement leading to loss of the angle setting.



Folding Backrest

Release the backrest by pulling the cord and at the same time, pushing it forward to fold it down. To return the backrest to the original position, pull it back as far as possible until it locks into position on both sides, (Fig.6.21 - 6.22).



Adjustable back sling (Fig.6.23)

(Fig.6.23)

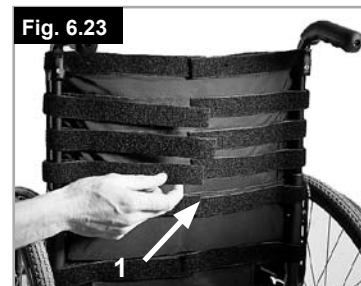
The adjustable back sling can be adjusted for tension by parting the Velcro® straps and moving them through the buckles (1). When the desired tension is achieved, press the Velcro back together.

Repeat the process for each strap.

The back sling upholstery can be accessed from the inside via an opening and can be padded to suit individual tastes.

WARNING!

Ensure that each strap is firmly secured before using the wheelchair.



Sideguards

Tool Height Adjustable Armrest

Installation: Slide the arm post into the receiver, located on the wheelchair frame, until it stops

Height adjustment:

Slide the arm rest post out of the receiver.

Adjust the position of the height adjustment bracket (1) by removing the screw (2) and moving it to the desired position. Re-fit the screw and tighten it.

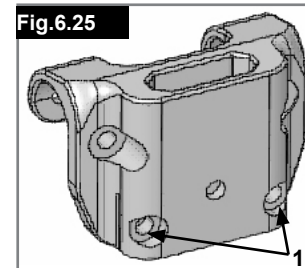
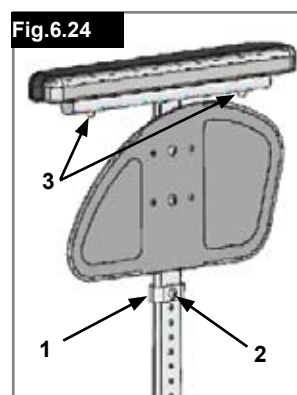
Slide the arm rest post back into the receiver, (Fig.6.24).

Armpad Position:

The armpad position can be adjusted by releasing the screws (3), then moving the arm pad to the desired position. Re-tighten the screws, (Fig.6.24).

Adjusting Armrest Receiver

The tightness of the armrest receiver can be adjusted (tightened /loosened) by means of the 2 screws (1) - (Fig.6.25).



Sideguards

Single Post Height-Adjustable Armrests

ATTENTION!

Neither the sideguards nor the armrests are to be used for lifting or carrying the wheelchair.

1. Fitting

- a. Push the outer armrest rails down into the receiver which is mounted on the wheelchair frame.
- b. The armrest will automatically lock into place.

2. Height Adjustment

- a. Turn the release lever for height adjustment (2) to the second stop point.
- b. Push the armpad up or down to reach the desired height.
- c. Set the lever back to the interlocked position against the armrest rails.
- d. Push the armpad (4) until the rails click into place securely.

3. Remove The Armrest

- a. Operate the lever 3 and lift the whole arm.

4. Insert Armrest

- a. Put the armrest back in the receiver, until the arm clicks into place.

Mounting Components For The Armrest Receiver

Adjusting the armrest receiver

To tighten or loosen the fit of the outer armrest rails in the receiver:

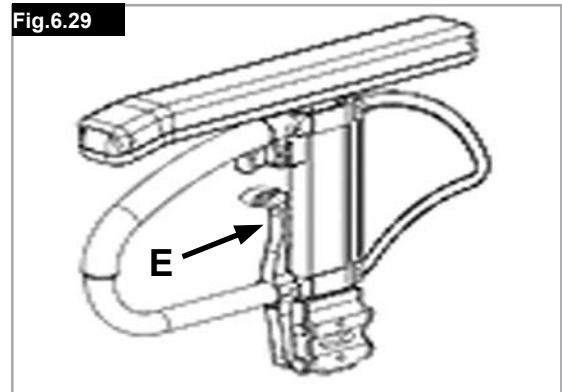
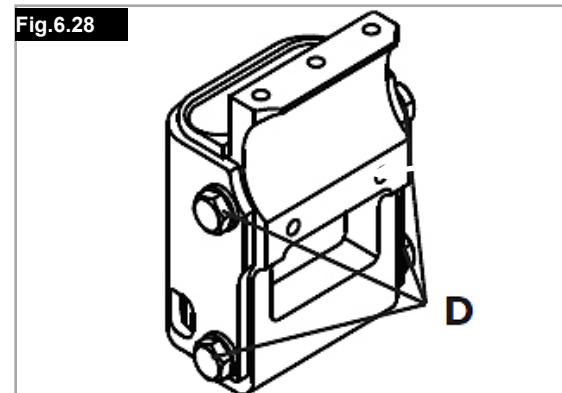
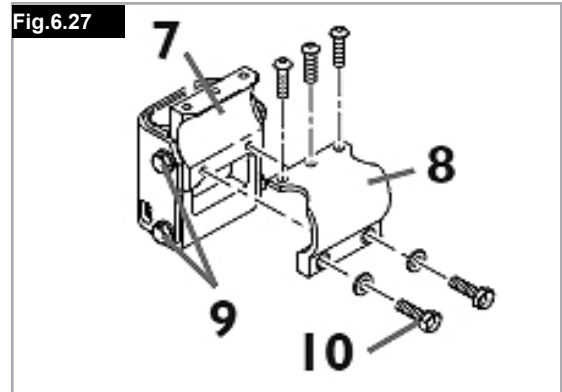
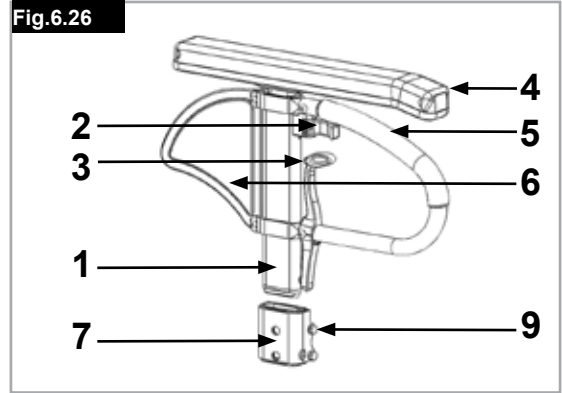
- 1. Loosen the four set screws for the receiver (D) on the sides of the receiver.
- 2. Leave the armrest in the receiver (E) and push the receiver together, until the desired adjustment is achieved.
- 3. Tighten the four screws (D). (144 in-lbs, 16.3 Nm)

Position Adjustment

- 1. Loosen the two clamp screws (10) until the clamp is loose.
- 2. Push the armrest receiver to the desired position.
- 3. Tighten.

(Fig. 6.26 - 6.29).

- 1. Outer armrest rails
- 2. Height adjustment of the locking lever
- 3. Locking lever
- 4. Armrest Pad
- 5. Transfer bar
- 6. Sideguard
- 7. Receiver
- 8. Adjustment clamp
- 9. Parts to adjust the receiver
- 10. Clamp screws



Sideguard With Clothes Protector (Fig.6.30)

The clothes protector prevents clothes getting dirty from spray water. You can set the position in relation to the rear wheel by moving the sideguard.

To do this, remove the fixing screws (1 and 2).

After setting to the desired position, re-tighten the screws (see the page on torque).

⚠ CAUTION!

Neither the sideguards nor the armrests are to be used for lifting or carrying the wheelchair

Push Handles**Height-Adjustable Push Handles (Fig.6.31)**

These handles are secured with pins to prevent them from sliding out unintentionally. Opening the quickrelease lever makes it possible to adjust the height of the push handles to meet your individual needs. As you move the lever, you will hear a locking mechanism; you may now easily position the push handle as desired. The nut on the tension lever determines how tightly the push handles are clamped into place. If the nut is loose after adjusting the tension lever, the push handle will also be too loose. Turn the push handle from side to side before use to make sure that it is clamped securely enough into place. After adjusting the handle height, always clamp the tension lever securely into place. If the lever is not secure, injuries could result when ascending stairs.

Push handle**Fold-Down Push Handles (Fig.6.32)**

If the push handles are not in use, they can be folded down by depressing the button, (1). When they are needed again, simply flip them back up until they click into place.

Anti-tip tubes**Anti-Tip Tubes (Fig.6.33)**

The anti-tip tubes (1) provide additional safety for inexperienced users when they are still learning how to operate their wheelchairs. Anti-tip tubes (1) prevent a wheelchair from tipping over backwards. The anti-tip tube (1) can be swung downwards by pushing it or rotated forwards. There should be a gap of 3 to 5 cm to the floor. To go up or down a step (e.g. kerb) the anti-tip tubes must be swung forwards, to prevent them from touching the ground.

⚠ WARNING!

Incorrect setup of the anti-tips will increase the risk of a rearwards tip.

Crutch holder**Crutch Holder (Fig.6.34)**

This device permits crutches to be transported directly on the wheelchair. It has a Velcro loop to fasten crutches or other aids.

⚠ CAUTION!

Never try to use / remove the crutches or other aids while moving.

Fig.6.30



Fig.6.31



Fig.6.32

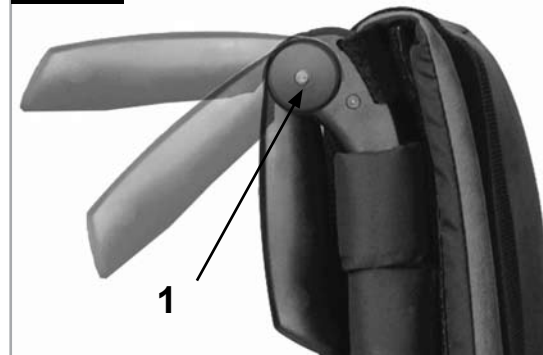


Fig.6.33



Fig. 6.34



Pelvic Restraint Belt



⚠ WARNING!

- Before using the wheelchair make sure that the pelvic restraint belt is fitted correctly.
- The pelvic restraint belt must be checked on a daily basis to ensure it is free from any obstruction or adverse wear.
- Always make sure that the pelvic restraint belt is correctly secured and adjusted prior to use.
- If the strap is too loose, this could cause the user of the wheelchair to slip down and risk suffocation or serious injury.

The pelvic restraint belt is fitted to the wheelchair as shown in the illustrations. The seat belt comprises two halves. They are fitted using the existing seat stay retaining bolt fitted through the eyelet on the belt. The belt is routed under the rear of the side panel.



Adjust the belt position so buckles are in the centre of the seat. (Fig.6.35 - 6.36)

Adjust the pelvic restraint belt to suit the user's needs as follows:

To reduce the belt length	To increase the belt length
	
Feed free belt back through male buckle and slide adjusters. Ensure belt is not looped at male buckle.	Feed free belt through slide adjusters and male buckle to provide more belt length.

When fastened check space between the pelvic restraint belt and user. When correctly adjusted it should not be possible to insert more than the flat of the hand between the pelvic restraint belt and the user. (Fig.6.37).

The lap belt should be fixed so that the belt sits at an angle of 45 degrees across the users pelvis. The user should be upright and be as far back as possible in the seat when correctly adjusted. The lap belt should not allow the user to slip down in the seat.

	
To fasten buckle: Firmly push male buckle into female buckle.	To release belt: Press exposed sides of male buckle and push towards centre whilst gently pulling apart.



⚠ WARNING !

- If in doubt about the use and operation of the lap belt then ask your healthcare professional, wheelchair dealer, carer or attendant for assistance.
- The lap belt must only be fitted by an approved Sunrise Medical dealer / agent. The lap belt should only be adjusted by a professional, or a Sunrise Medical approved dealer / agent.
- The lap belt must be checked on a daily basis to ensure it is adjusted correctly and free from any obstruction or adverse wear.
- Sunrise Medical does not encourage the transportation of any person in a vehicle using this lap belt as a method of restraint. Please see Sunrise Medical transit booklet for further advice on transportation.

Maintenance:

Check lap belt, and securing components, at regular intervals for any sign of frays or damage. Replace if necessary.

NOTE:

The lap belt should be adjusted to suit the end user as detailed above. Sunrise Medical recommend that the length and fit of the belt be checked on a regular basis to reduce the risk of the end user inadvertently re-adjusting the belt to an excessive length.

Transit wheels

Transit Wheels (Fig.6.38)

Travel wheels should be used wherever your wheelchair would be too wide if the rear wheels were used. After the rear wheels have been removed with the aid of the quick-release axles, the transit wheels can immediately be used to continue riding. The transit wheels are mounted so that they are approx. 3 cm above the ground when not in use. They are thus out of the way when riding, transporting, or when tipping to pass over obstacles.

⚠ CAUTION!

Without rear wheels, your wheelchair has no wheel locks.



Fig.6.38

7.0 Tyres and Mounting

Solid rubber tyres are standard.

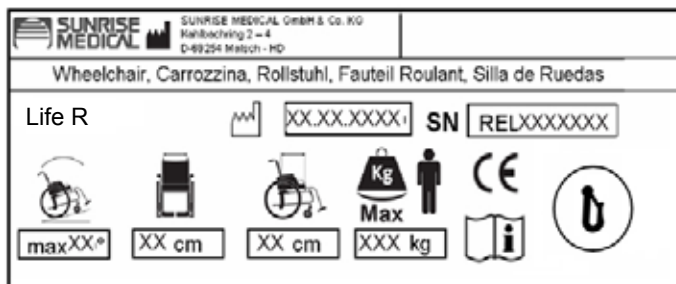
With pneumatic tyres always make sure that the tyres have the correct air pressure, as otherwise the performance of the wheelchair may be affected. If the tyre pressure is too low, rolling resistance will increase, requiring more effort to move the chair forward. Low tyre pressure also has a negative impact on manoeuvrability. If the tyre pressure is too high, the tyre could burst. The correct pressure for a given tyre is printed on the surface of the tyre itself.









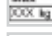







Tyres are mounted the same way as an ordinary bicycle tyre. Before installing a new inner tube, you should always make sure that the base of the rim and the interior of the tyre are free of foreign objects. Check the pressure after mounting or repairing a tyre. It is critical to your safety and to the wheelchair's performance that regulation air pressure be maintained and that tyres be in good condition.

8.0 Name Plate

Nameplates

The name plate is located on either the cross-tube assembly or the transverse frame tube, as well as on a label in the owner's manual. The nameplate indicates the exact model designation and other technical specifications. Please provide the following pieces of information whenever you have to order replacement parts or to file a claim:



-  Life R
XXXXX-XXX Product Name/SKU Number.
-   Maximum safe slope with anti-tips fitted, Depends on wheelchair setting, posture and physical capabilities of the user.
-   Seat width.
-   Depth (maximum).
-   Load Maximum.
-  CE Mark
-  User's Guide.
-  Crash Tested
-   Date of manufacture.
-   Serial number.

Due to our policy of continuous improvement in the design of our wheelchairs, product specifications may vary slightly from the examples illustrated. All weight/dimensions and performance data are approximate and provided solely for guidance.

Sunrise Medical complies with the EU Medical Devices Directive 93/42/EEC

CE All wheelchairs must be used in accordance with the manufacturer's guidelines.

Sunrise Medical
Thorns Road
Brierley Hill
West Midlands
DY5 2LD
Phone: 0845 605 66 88
Fax: 0845 605 66 89
www.SunriseMedical.com

9.0 Maintenance and care

Safety Check:

As the user you will be the first person to notice any possible defects. We therefore recommend that before each use, you check the following:

- The tyre pressure is correct.
- The brakes work correctly.
- All removable parts are securely fastened (e.g. armrests, footrest hangers, quick-release axles ...).
- If there is any damage/defect, please contact your authorised dealer.

Maintenance:

Check the tyre pressure at regular intervals.

Check all tyres for wear and damage at regular intervals, at least annually. Change the tyres as soon as there is any sign of damage or wear.

Check the seat and back sling for wear and damage at regular intervals, at least annually. Change these items as soon as there is any sign of damage or wear.

Check all frame and backrest components for wear and damage at regular intervals, at least annually. Change these items as soon as there is any sign of damage or wear.

Check the brakes for wear and damage at regular intervals, at least annually. Check that they are working properly and are easy to use. Change the brakes as soon as there is any sign of damage or wear.

Check to make sure all bolts are secure (see the section on torque) at regular intervals, at least annually. All screws which are critical to using the wheelchair safely have safety nuts. Safety nuts should only be used once and should be replaced after use.

NOTE: If torque settings are given, then we strongly recommend that you use a torque measuring device, in order to check that you have tightened to the correct torque.

Please use only mild household cleaners when your wheelchair is dirty. Use only soap and water when cleaning the seat upholstery and lap belt.

Depending on the frequency and type of use, we recommend taking your wheelchair to your authorised dealer regularly, but at least within a year, to have it maintained by trained personnel.

CAUTION!

Sand, salt and sea water can damage the bearings of the front and rear wheels. Clean and dry the wheelchair carefully, after they have been exposed to these elements.

Hygiene When Being Reused:

When the chair is to be reused, it should be prepared carefully, and be wiped and treated with spray disinfectant on all surfaces which could come into contact with the user.

If you need to do this quickly, you must use a liquid, alcohol-based disinfectant suitable for medical products and devices. Please pay attention to the manufacturer's instructions of the disinfectant you are using.

10.0 Trouble shooting

Wheelchair pulls to one side

- Check tyre pressure
- Check to make sure wheel turns easily (bearings, axle)
- Check the castor angle
- Check to make sure both castors are making proper contact with the ground

Castors begin to wobble

- Check the castor angle
- Check to make sure all bolts are secure; tighten if necessary (see the section on torque)
- Check to make sure both castors are making proper contact with the ground

Wheelchair squeaks and rattles

- Check to make sure all bolts are secure; tighten if necessary (see the section on torque)
- Apply small amount of lubrication to spots where movable parts come in contact with one another

Wheelchair begins to wobble

- Check angle at which castors are set
- Check tyre pressure
- Check to see if rear wheels are adjusted differently

11.0 Disposal / recycling of materials

NOTE: If the wheelchair has been supplied to you free of charge it may not belong to you. If it is no longer required follow any instructions given by the organisation issuing the wheelchair in order that it may be returned to them.

The following information describes the materials used in the wheelchair in relation to the disposal or re-cycling of the wheelchair and its packaging. Specific waste disposal or recycling regulations may be in force locally and these should be taken into consideration when disposal arrangements are made. (This may include the cleaning or de-contamination of the wheelchair before disposal).

Aluminium: Castor forks, wheels, side frames, armrests, frame, leg rests, push handles

Steel: Fasteners, QR axle

Plastic: Handgrips, tube plugs, castor wheels, footplates, armpads and 12" wheel/tyre

Packaging: Low density polythene bag, cardboard box

Upholstery: Woven polyester with PVC coatings and expanded combustion modified foam.

Disposal or recycling should be done through a licensed agent or authorised place of disposal. Alternatively your wheelchair may be returned to your dealer for disposal.



12.0 Technical Data

Overall width:

With standard wheels including handrims, close mount:
min = 540mm, max = 720mm

Overall height:

min = 750mm, max = 950

Overall length including foot rests:

min = 935mm, max = 1075mm.

Maximum load: 125kg. (100kg with handbike axle).

Weights in kg:

min = 11kg, max = 15kg

Heaviest part (Wheel) = 2.2kg

Footrest = 0.8kg

Side Guard Assembly = 1.3kg

Wheel (each) = 2.2kg

ALSO SEE PAGE 6

13.0 Torque

Unless otherwise advised, the torque for M6 screws is 7 Nm.
Please refer to page 7 for details

ADDITIONAL NOTES

In Accordance with EN12183: 2009 all there listed parts (seat - back upholstery, arm pad, side panel...) are fire resistant as per EN1021-2 .

The Dynamic safe slope is dependant on the chair configuration, the users abilities and the style of riding. As the users abilities and style of riding cannot be predetermined then the max safe slope cannot be determined. Therefore this must be determined by the user with the

assistance of an attendant to prevent tipping. It is strongly recommended that inexperienced users have Ant-tips fitted.

The wheelchair conforms to the following standards:

- a) Requirements and test methods for static, impact and fatigue strengths (ISO 7176-8)
- b) Requirements for resistance to ignition in accordance with ISO 7176-16 (EN 1021-1)

Sommaire

Définitions	25
Avant-propos	26
Utilisation	26
Champ d'application	26
1.0 Consignes générales de sécurité et limites de conduite	27
2.0 Garantie	28
3.0 Transportabilité	29
4.0 Manipulation	31
5.0 Transport du fauteuil	31
6.0 Options	31
Leviers de basculement	31
Freins	31
Palette	32
Réglage du repose-pied	34
Roue avant	34
Inclinaison réglable du dossier	35
Protège-vêtements	35
Protège-vêtements	36
Poignées de poussée	37
Poignée de poussée	37
Roulettes anti-basculer	37
Porte-canne	37
Ceinture pelvienne	38
Roulettes de transit	39
7.0 Pneus et montage des pneus	39
8.0 Plaque signalétique	39
9.0 Maintenance et entretien	40
10.0 Dépannage	40
11.0 Mise au rebut / Recyclage des matériaux	40
12.0 Caractéristiques techniques	41
13.0 Couple réel	41

REMARQUE :

Il est possible que les fauteuils illustrés et décrits dans le présent manuel ne soient pas complètement identiques au modèle que vous avez acheté. Toutefois, toutes les instructions fournies dans le présent manuel sont valables pour votre matériel, malgré d'éventuelles différences minimales.

Le fabricant se réserve le droit de modifier sans préavis les poids, mesures et autres données techniques indiquées dans le présent manuel. Tous les chiffres, dimensions et capacités indiqués dans ce manuel sont approximatifs et ne constituent pas des caractéristiques.

Définitions

3.1 Définitions des termes employés dans le manuel

Terme	Définition
 DANGER !	Indication d'un risque potentiel de blessures sérieuses ou de mort en cas de non-respect des consignes
 AVERTISSEMENT!	Indication d'un risque potentiel de blessure en cas de non-respect des consignes
 ATTENTION !	Indication que le matériel peut être endommagé si le conseil fourni n'est pas suivi
REMARQUE :	Conseil d'ordre général ou pratique recommandée
	Référence faite à d'autres manuels

REMARQUE :

Il vous est conseillé de noter dans l'encadré prévu ci-dessous les coordonnées du technicien chargé de votre service après-vente.

En cas de panne, contactez-le en lui donnant autant d'informations que possible sur la nature de la panne de sorte qu'il puisse vous aider efficacement et rapidement.

Tampon et signature du revendeur

Avant-propos

Chère cliente, cher client,

Vous avez choisi un produit de SUNRISE MEDICAL de grande qualité. Nous nous en réjouissons.

Ce manuel d'utilisation vous fournira de nombreux conseils et suggestions de sorte que votre produit deviendra pour vous un partenaire familier digne de confiance.

Pour Sunrise Medical, être proche de nos clients est une priorité. C'est pourquoi, nous tenons à vous tenir informé de toutes nos nouveautés, actuelles et à venir. Être proche de nos clients signifie, assurer un service rapide, avec le moins de formalités administratives possible et entretenir une bonne relation avec eux. Que vous souhaitiez commander des pièces de rechange ou des accessoires, ou encore poser des questions concernant votre fauteuil, nous sommes à votre service.

Notre objectif est que vous soyez satisfait de nos services. Chez Sunrise Medical, nous travaillons en permanence au développement de nos produits. Ainsi, des modifications quant à la forme, à la technique et à l'équipement peuvent être apportées à notre gamme de produits. Aucune réclamation ne pourra donc être adressée au sujet des informations et illustrations de ce manuel d'utilisation.



Le système de gestion de SUNRISE MEDICAL est certifié EN ISO 9001, ISO 13485 et ISO 14001.

En sa qualité de fabricant, SUNRISE MEDICAL, déclare que les fauteuils sont conformes à la directive 93/42/CEE telle que modifiée par 2007/47/CEE.

Adressez-vous à notre service après-vente SUNRISE MEDICAL, compétent et agréé, pour toute question concernant l'utilisation, la maintenance ou la sécurité de votre fauteuil roulant.

S'il n'y a aucun revendeur près de chez vous ou si vous avez des questions, contactez-nous par courrier ou par téléphone à l'adresse suivante.

ZAC de la Vrillonnerie
17 Rue Michael Faraday
37170 Chambray-Lès-Tours
France
Tel : 02 47 55 44 00
Fax : 02 47 55 44 03
www.SunriseMedical.fr



N'UTILISEZ PAS VOTRE FAUTEUIL AVANT D'AVOIR LU ET COMPRIS LES INFORMATIONS CONTENUES DANS CE MANUEL.

Utilisation

Les fauteuils roulants sont exclusivement destinés aux utilisateurs dans l'incapacité de marcher ou à mobilité restreinte et pour leur propre usage à l'intérieur et à l'extérieur.

La charge maximale (à savoir le poids de l'utilisateur et des accessoires éventuellement embarqués) est indiquée sur la plaque signalétique apposée sur le croisillon ou sur la barre de stabilisation, en dessous du siège.

La garantie n'est valable que si le produit est utilisé dans les conditions spécifiées et pour l'usage pour lequel il est prévu. La durée de vie prévue pour ce fauteuil est de cinq années. N'utilisez ET n'installez aucun composant tiers sur le fauteuil, à moins qu'ils n'aient été formellement approuvés par Sunrise Medical.

DANGER !

- N'équipez le fauteuil d'aucun dispositif électronique non approuvé.
- N'équipez le fauteuil d'aucun dispositif de mobilité électrique ou mécanique, vélo à main ou tout autre dispositif non approuvé susceptible de modifier l'usage prévu du fauteuil ou sa structure.
- L'ajout de dispositifs médicaux supplémentaires nécessite l'approbation de Sunrise Medical.

Champ d'application

De par la diversité des options de montage et sa conception modulaire, ce fauteuil convient pour les personnes dans l'incapacité de marcher ou à mobilité restreinte, suite à :

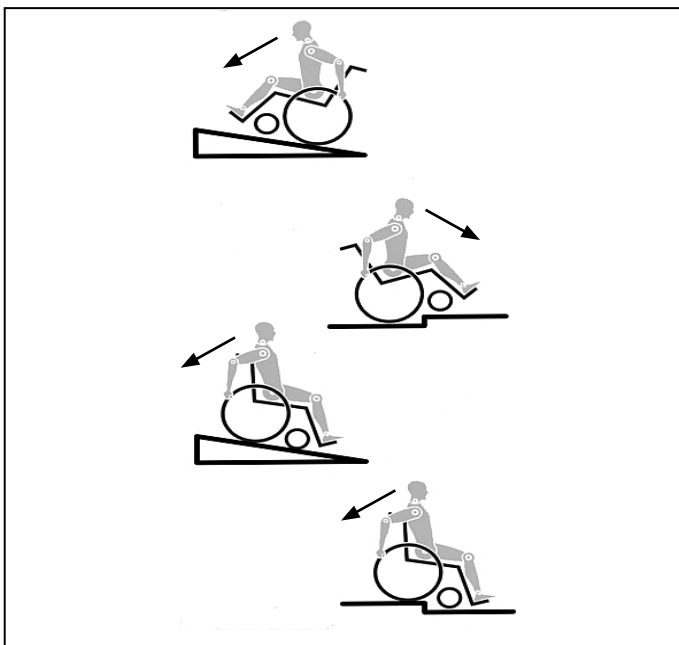
- Une paralysie
- La perte d'un membre (amputation de la jambe)
- Un problème/la difformité d'un membre
- Des contractures/blessures aux articulations
- Des maladies, telles qu'une insuffisance cardiaque et circulatoire, trouble de l'équilibre ou cachexie, et pour les personnes âgées ayant assez de force dans le haut du corps.

Sélectionner le bon fauteuil nécessite de prendre en compte des éléments tels que la taille de l'utilisateur, son poids, sa constitution physique et psychologique, son âge, son mode de vie et son environnement.

Etat de marche

Le fauteuil est prévu pour une utilisation à l'intérieur comme à l'extérieur, sur des surfaces sèches et relativement peu accidentées, propulsé par l'utilisateur lui-même ou un accompagnateur. Il n'est pas prévu pour une utilisation par temps orageux, pluie torrentielle, neige et givre ou autres conditions météo extrêmes.

1.0 Consignes générales de sécurité et limites de conduite



La conception et la construction du fauteuil sont réalisées pour garantir une sécurité maximale. A l'échelle internationale, toutes les exigences applicables en matière de normes de sécurité sont respectées, voire dépassées. Toutefois, l'utilisateur peut se mettre en situation de danger en utilisant son fauteuil de façon incorrecte. Pour votre sécurité, vous devrez impérativement respecter les consignes suivantes.

Les altérations ou réglages non professionnels ou erronés augmentent le risque d'accidents. En tant qu'utilisateur de fauteuil roulant, vous participez à la circulation publique, sur routes ou trottoirs. Vous êtes par conséquent tenu de respecter le code de la route.

Lors de votre première utilisation du fauteuil, roulez prudemment. Familiarisez-vous avec l'utilisation de votre nouveau fauteuil roulant.

Avant chaque utilisation de votre fauteuil, contrôlez impérativement :

- Les axes à déverrouillage rapide des roues arrière
- Les bandes velcro de l'assise et du dossier
- Les pneus, la pression et les freins.

Avant de modifier un quelconque réglage, il est important de lire le paragraphe correspondant de présent manuel d'utilisation.

Des nids de poule ou un sol irrégulier peut faire basculer le fauteuil roulant lors de la montée ou de la descente des pentes.

Si une marche ou une montée est abordée de face, le corps doit être incliné en avant.

⚠ DANGER !

- Ne dépassez JAMAIS la charge maximale de 125 kg, (100 kg avec "handbike" essieu), combinée entre l'utilisateur et tout autre accessoire éventuellement embarqué. Toute charge supérieure pourrait endommager le fauteuil ou vous faire basculer, perdre le contrôle et entraîner de graves blessures pour vous et toute autre personne.
 - Dans la pénombre, portez des vêtements clairs ou réfléchissants de sorte à être vu par les autres usagers de la route. Veillez à ce que les réflecteurs latéraux et arrière du fauteuil restent bien visibles. Il est également recommandé d'installer une lumière.
 - Pour éviter les chutes et situations dangereuses, il est recommandé de vous entraîner et de vous familiariser avec votre nouveau fauteuil sur une surface plane offrant une bonne visibilité.
 - Pour monter et descendre du fauteuil, ne prenez pas appui sur les repose-pied. Il convient au contraire de les rabattre et de les pivoter vers l'extérieur le plus possible. Placez-vous toujours le plus près possible de l'endroit où vous voulez vous asseoir.
- Utilisez toujours votre fauteuil de manière adéquate. Evitez par exemple de franchir des obstacles sans avoir préalablement ralenti (marche, bord de trottoir).
 - Les freins d'immobilisation ne servent pas à ralentir le fauteuil. Ils empêchent votre fauteuil d'avancer involontairement. Quand vous vous tenez sur un terrain accidenté, utilisez impérativement vos freins d'immobilisation. Pensez toujours à actionner les deux freins simultanément, autrement votre fauteuil pourrait basculer.
 - Changer le centre de gravité peut avoir un impact sur le comportement du fauteuil dont vous devez être conscient. Il est recommandé de vous entraîner, par exemple en pente ou lors du franchissement d'obstacles. Familiarisez-vous avec les différents comportements en présence d'un accompagnateur.
 - Avec des réglages extrêmes (comme les roues arrière en position la plus avancée possible) et une posture inadéquate, le fauteuil risque de basculer, même sur une surface plane.
 - Lorsque vous franchissez des côtes et des marches, penchez votre corps plus en avant.
 - Lorsque vous descendez des côtes et des marches, penchez votre corps plus en arrière. Ne tentez jamais de monter ou de descendre une pente en diagonal.
 - Evitez d'utiliser les escalators. En cas de chute, vous pourriez vous blesser gravement.
 - N'utilisez pas le fauteuil sur des pentes de plus de 10° d'inclinaison. Le degré d'inclinaison maximum des pentes dépend de la configuration du fauteuil, des capacités de l'utilisateur et du style de conduite. Les capacités de l'utilisateur et son style de conduite ne pouvant être prédéfinis, le degré d'inclinaison maximum des pentes ne peut être déterminé. Il revient donc à l'utilisateur, assisté de son accompagnateur, de déterminer l'inclinaison maximale afin d'éviter tout risque de basculement. Il est vivement recommandé d'installer des roulettes anti-basculer pour les utilisateurs inexpérimentés.
 - Des nids de poule ou un sol irrégulier peuvent faire basculer le fauteuil roulant lors de la montée ou de la descente des pentes.
 - N'utilisez pas le fauteuil sur des terrains boueux ou verglacés. N'utilisez pas le fauteuil dans des zones interdites aux piétons.
 - Pour éviter de vous blesser aux mains, ne placez pas vos doigts entre les rayons ou entre la roue arrière et le frein de la roue lorsque le fauteuil est en déplacement.
 - Si vous utilisez une main courante métallique et freinez dans une longue pente ou pour réduire votre allure, le frottement peut chauffer la main courante et vous brûler les doigts.
 - Ne montez et descendez les escaliers que si vous êtes accompagné. Des équipements à cet effet sont à votre disposition, comme les rampes d'accès et les ascenseurs. Utilisez-les. En l'absence de tels équipements, deux personnes sont nécessaires pour faire basculer le fauteuil et lui faire franchir les marches une à une en le poussant, et non pas en le soulevant. Il est déconseillé de procéder à de telles manœuvres dans les escaliers avec des utilisateurs de plus de 100 kg.
 - En général, en présence de roulettes anti-basculer, il convient de les régler de sorte qu'elles ne puissent heurter les marches, car cela pourrait entraîner une grave chute. Remplacez ensuite les roulettes anti-basculer à leur position normale.
 - L'accompagnateur doit toujours tenir le fauteuil par les parties fixes et non pas par les parties amovibles, comme le repose-pied ou la protection latérale.
 - Lors de l'utilisation d'une rampe d'accès, pensez à positionner les roulettes anti-basculer (le cas échéant) en dehors de la zone à risque.
 - Immobilisez toujours votre fauteuil à l'aide des freins lorsqu'il se trouve sur les surfaces accidentées ou lorsque vous montez dessus ou en descendez.

- Dans la mesure du possible, au cours d'un déplacement à bord d'un véhicule pour personnes handicapées, il est conseillé aux occupants de s'asseoir sur les sièges et d'utiliser le système de retenue approprié. C'est le seul moyen d'assurer une protection optimale aux occupants en cas d'accident. Si vous utilisez des éléments de sécurité proposés par SUNRISE MEDICAL et un système de sécurité spécifique, les fauteuils légers peuvent servir de siège pour le déplacement à bord d'un véhicule spécialement adapté. (Voir le chapitre sur "Transport").
- Selon le diamètre et le réglage des roues avant, ainsi que le centre de gravité du fauteuil, les roues avant peuvent se mettre à vibrer à mesure que la vitesse du fauteuil augmente. Les roues avant risquent alors de se bloquer et le fauteuil de basculer. Il est donc essentiel de régler correctement les roues avant (voir le chapitre "Roues avant"). Ne descendez pas une pente sans frein et déplacez-vous lentement. Il est recommandé aux utilisateurs inexpérimentés d'utiliser des roulettes anti-basculer.
- Les roulettes anti-basculer empêchent le fauteuil de basculer accidentellement vers l'arrière. En aucun cas, elles ne doivent remplacer les roulettes de transit et servir au transport d'une personne dans un fauteuil dont les roues arrière auraient été retirées.
- Si vous souhaitez atteindre un objet (placé devant, derrière ou latéralement par rapport au fauteuil), évitez de trop vous pencher afin de ne pas modifier le centre de gravité et risquer de faire basculer le fauteuil. La présence d'une charge supplémentaire (sac à dos ou objets similaires) sur les montants arrière du dossier peut avoir un impact sur la stabilité de votre fauteuil (surtout si le dossier est incliné en arrière) et peut faire basculer le fauteuil en arrière et entraîner des blessures.
- Pour les personnes amputées d'un ou des membres inférieurs, il est impératif d'utiliser les roulettes anti-basculer.
- Avant d'utiliser votre fauteuil, vérifiez la pression des pneus. Pour les roues arrière, la pression doit être au moins de 3,5 bars (350 kPa). La pression maximale est indiquée sur la jante des pneus. Le frein à manette à hauteur du genou ne fonctionne que si la pression des pneus est suffisante et si le réglage est correct (voir le chapitre sur les "Freins").
- Si les toiles du dossier et du siège sont abîmées, remplacez-les immédiatement.
- Soyez très vigilants avec les risques d'incendie, surtout avec les cigarettes allumées. Les toiles du dossier et du siège peuvent prendre feu.
- Si le fauteuil est exposé au soleil pendant une période prolongée, certaines parties du fauteuil (par ex. le châssis, les repose-jambes, les freins et le protège-vêtement) peuvent chauffer (>41°C).
- Vérifiez que les axes à déverrouillage rapide des roues arrière sont bien réglés et verrouillés. Si le bouton de l'axe à déverrouillage rapide n'est pas enfoncé, vous ne pouvez pas enlever la roue arrière.

AVERTISSEMENT !

- L'efficacité du frein à manette au genou et des caractéristiques de conduite générales dépend de la pression des pneus. Le fauteuil sera considérablement plus léger et plus facile à manœuvrer si les pneus des roues arrière sont correctement gonflés et ont la même pression.
- Vérifiez la sculpture des pneus. N'oubliez pas que lorsque vous vous déplacez au milieu de la circulation, vous devez respecter toutes les réglementations relatives au code de la route.
- Faites attention de ne pas vous pincer les doigts lorsque vous procédez à des réglages du fauteuil.

Il est possible que les produits illustrés et décrits dans le présent manuel ne soient pas complètement identiques au modèle que vous avez acheté. Toutefois, toutes les instructions fournies dans le présent manuel sont valables pour votre matériel, malgré les éventuelles différences minimales.

Le fabricant se réserve le droit de modifier sans préavis les poids, mesures et autres données techniques indiquées dans le présent manuel. Tous les chiffres, dimensions et capacités indiqués dans ce manuel sont approximatifs et ne constituent pas des caractéristiques.

2.0 Garantie

Garantie

CECI NE PORTE PAS ATTEINTE À VOS DROITS LÉGAUX. CONDITIONS DE GARANTIE

- 1) Tout travail de réparation ou de remplacement devra être effectué par un revendeur/technicien de service après-vente agréé Sunrise Medical.
- 2) En cas de problème avec votre produit, vous devez, pour faire jouer la garantie en vertu de ce contrat, signaler immédiatement toute anomalie au service après-vente Sunrise Medical désigné, en précisant la nature du problème. Si vous vous trouvez dans une localité autre que celle du service après-vente Sunrise Medical désigné, le travail pourra, en vertu des conditions de garantie, être effectué par un autre service après-vente désigné par le fabricant.
- 3) Si une pièce quelconque de votre fauteuil roulant devait être réparée ou remplacée en raison d'un vice de fabrication ou de matériau dans les 24 mois (5 ans pour le châssis et le croisillon) suivant la date à laquelle la propriété du produit a été transférée à l'acheteur original et à condition que ce dernier en ait conservé la propriété, la ou les pièce(s) sera/seront réparée(s) ou remplacée(s) gratuitement si le fauteuil est renvoyé au service après-vente agréé.

REMARQUE : La garantie n'est pas transférable.

- 4) Toute pièce réparée ou remplacée bénéficiera de la garantie pour le reste de la période de garantie applicable au fauteuil roulant.
- 5) Les pièces changées après la période de garantie seront couvertes pour une période supplémentaire de 12 mois.
- 6) Les composants consommables n'entrent généralement pas dans le cadre de la garantie, à moins que les pièces aient manifestement subi une usure exagérée résultant directement d'un vice de fabrication. Il s'agit, en autres, des garnitures, des pneus, des chambres à air et autres pièces similaires.
- 7) Les conditions de garantie susmentionnées s'appliquent à toutes les pièces des produits, pour les modèles achetés à plein tarif.
- 8) Dans des conditions normales, la garantie ne saurait être appliquée si le produit nécessite une réparation ou un remplacement pour l'une des raisons suivantes :
 - a) Le produit, ou l'une de ses pièces, n'a pas été entretenu conformément aux recommandations du fabricant, telles qu'énoncées dans le Manuel de l'utilisateur et/ou le Manuel technique. Des pièces autres que celles spécifiées pour ce matériel ont été utilisées.
 - b) Le produit, ou l'une de ses pièces, a été endommagé suite à une négligence, un accident ou une utilisation inadéquate.
 - c) Le produit, ou l'une de ses pièces, a été transformé ou une réparation a été entreprise avant d'en avoir notifié le service après-vente.
 - d) Le produit présente des signes de corrosion résultant d'une maintenance inappropriée.

3.0 Transportabilité

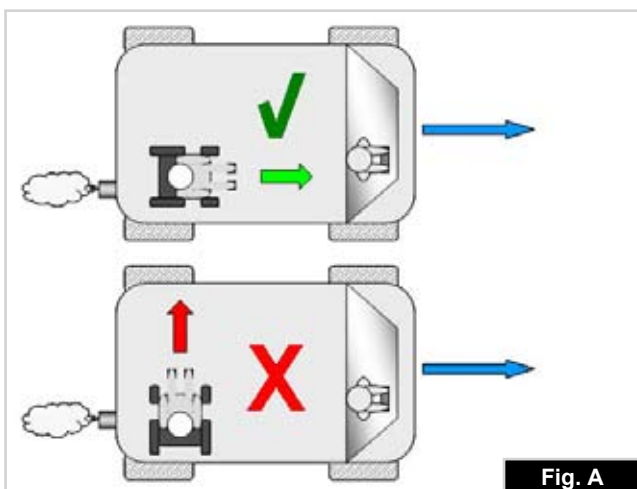
DANGER !

Il y a risque de blessures sérieuses ou de mort si ce conseil n'est pas respecté.

Transport de votre fauteuil roulant dans un véhicule

Un fauteuil roulant arrimé dans un véhicule n'assurera pas le même niveau de sécurité que les sièges du véhicule. Il est toujours recommandé que l'utilisateur soit transféré au siège du véhicule. Sunrise Medical reconnaît qu'il n'est pas toujours facile de transférer l'utilisateur et dans une telle situation où l'utilisateur doit être transporté tout en étant dans son fauteuil roulant, il convient de suivre les recommandations suivantes :

1. Faites vous confirmer que le véhicule est correctement équipé pour transporter un passager dans un fauteuil roulant, et assurez-vous que la méthode d'accès/de sortie est convenable pour votre type de fauteuil roulant. Le sol du véhicule doit être suffisamment résistant pour supporter le poids de l'utilisateur avec celui du fauteuil roulant et de ses accessoires.
2. Suffisamment d'espace doit être disponible autour du fauteuil afin d'avoir un accès facile pour attacher, serrer et détacher le fauteuil roulant et le dispositif de retenue de l'occupant et les ceintures de sécurité.
3. Le fauteuil doit être placé dans le sens de la marche et être ancré par les points d'arrimage et le système de retenue et de fixation (conforme à la norme ISO 10542 ou SAE J2249) conformément aux instructions du fabricant du système de retenue.
4. L'utilisation du fauteuil à bord d'un véhicule motorisé dans une position autre que celle préconisée n'a pas fait l'objet de tests, ainsi le positionnement latéral du fauteuil ne doit être envisagé en aucun cas (Fig. A).
5. Le fauteuil doit être sécurisé par un système d'arrimage conforme à ISO 10542 ou SAE J2249 avec sangles avant non réglables et sangles arrière réglables, qui utilise typiquement des mousquetons/crochet en S et des boucles à ardillons. Ces dispositifs de retenue comprennent généralement 4 sangles individuelles qui sont attachées de chaque côté du fauteuil roulant.
6. Ce système d'arrimage doit être fixé au châssis principal du fauteuil roulant comme indiqué dans le schéma sur la page suivante, et non pas à tous les points d'attache ou accessoires, ex. pas autour des rayons des roues, freins ou repose-pied.



7. Le système de fixation doit être attaché le plus possible à un angle de 45° et tendu conformément aux indications du fabricant.

8. Ne modifiez et ne remplacez pas les points d'ancrage du fauteuil, ni les composants structurels sans avoir préalablement demandé l'avis du fabricant, à défaut de quoi le fauteuil Sunrise Medical ne sera pas conforme pour le transport à bord d'un véhicule motorisé.

9. Les deux ceintures de retenue au niveau du bassin et du torse supérieur doivent être utilisées pour retenir le passager afin de réduire la possibilité de choc de la tête ou du torse avec les composants du véhicule et de risques graves de blessures à l'utilisateur et tout autre occupant du véhicule. (Fig. B) La ceinture de retenue du torse supérieur doit être montée au pilier "B" du véhicule - ne pas respecter ceci augmente le risque de blessures abdominales graves à l'utilisateur.

10. Un soutien de tête adéquate pour le transport (voir étiquette de l'appui-tête) doit être installé et doit être dans la position souhaitée à tout moment pendant le transport.

11. Les systèmes de maintien posturaux (sangles sous-abdominales, ceintures sous-abdominales) ne doivent pas servir de système de retenue dans un véhicule en déplacement, à moins qu'ils ne soient conformes à la norme ISO 7176-19:2001 ou SAE J2249, ce qui doit être spécifiquement indiqué sur l'étiquette.

12. La sécurité de l'utilisateur pendant son transport dépend de la vigilance de la personne sécurisant le système d'arrimage et cette personne devrait avoir reçu des instructions appropriées et/ou une formation sur leur utilisation.

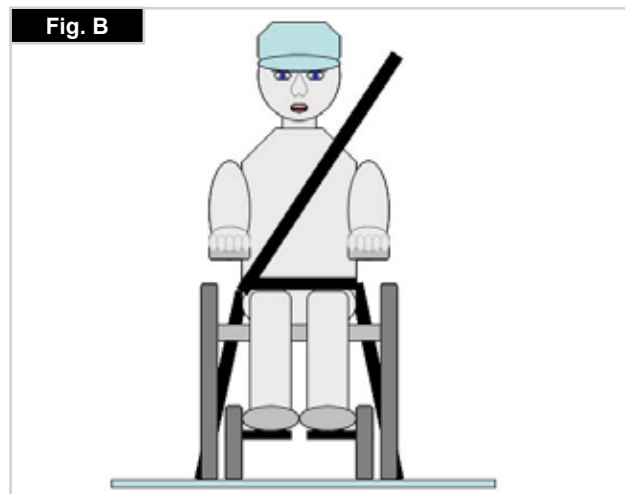
13. Dans la mesure du possible, retirez du fauteuil et rangez tous les accessoires et équipements auxiliaires, comme par exemple :
Les cannes, les coussins amovibles et les tablettes.

14. Vous ne devez pas utiliser les repose-jambe articulés/élévateurs en position élevée quand le fauteuil roulant et l'utilisateur sont transportés et quand le fauteuil roulant est retenu par des dispositifs de retenue pour le transport de fauteuils roulants et de son passager.

15. Les dossiers inclinables doivent être remis en position verticale.

16. Les freins manuels du fauteuil doivent impérativement être enclenchés.

17. Les dispositifs de retenue doivent être montés au pilier "B" du véhicule et ne doivent pas être retenus par des composants du fauteuil roulant tel les accoudoirs ou les roues.



Transportabilité

Instructions pour le système de retenue de l'occupant :

1. La ceinture de retenue du bassin doit être fixée en position basse à travers le bassin de façon à ce que l'angle de la ceinture du bassin soit dans la zone de préférence entre 30 et 75 degrés par rapport à l'horizontal.

Un plus grand angle au sein de la zone de préférence est recommandé c'est-à-dire plus proche de 75°, mais sans jamais cependant dépasser cette limite. (Fig. C)

2. La ceinture thoracique doit passer par-dessus l'épaule et en travers de la poitrine, comme illustré aux Fig. D et E. Les ceintures de retenue doivent être serrées le plus possible, tout en respectant le confort de l'utilisateur. La sangle de la ceinture de sécurité ne doit pas être entortillée pendant son utilisation.

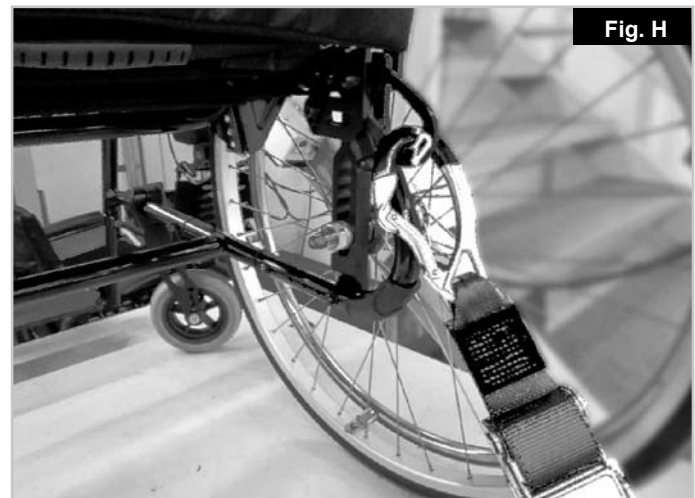
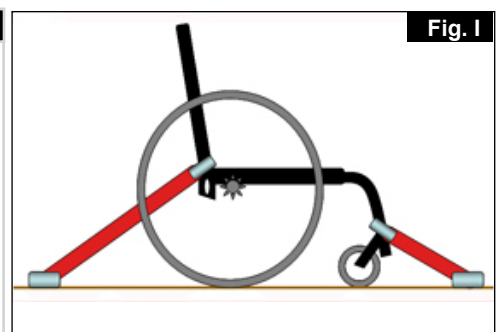
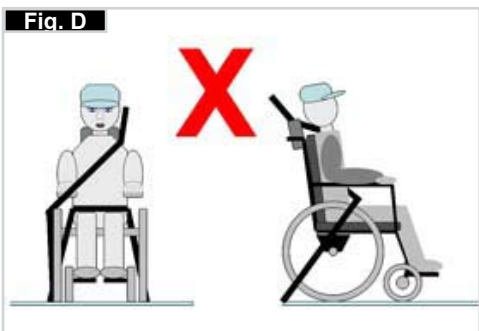
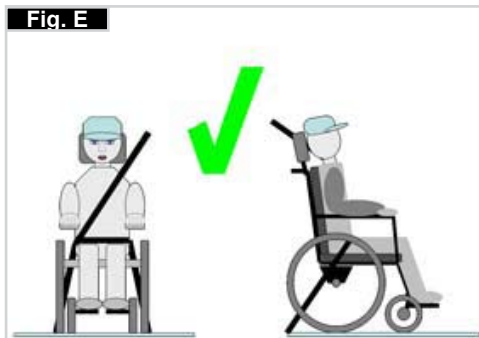
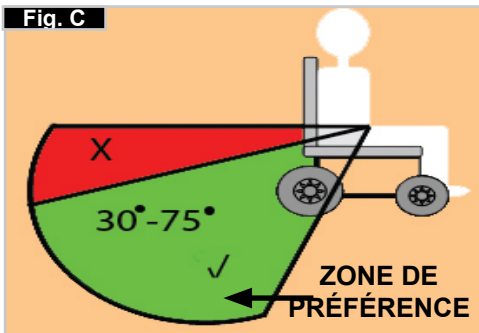
La ceinture thoracique doit passer par-dessus l'épaule et en travers de l'épaule, comme illustré aux Fig. D et E.

3. Les points de retenue au fauteuil sont le côté interne avant du châssis juste au-dessus de la roue avant et l'arrière du châssis. Les sangles sont fixées autour des flancs de châssis, à l'intersection des tubes de châssis horizontaux et verticaux. (Voir Fig. G-H-I)

4. Le symbole d'arrimage (Fig. F) sur le châssis du fauteuil roulant indique la position des sangles de retenue du fauteuil roulant. Les sangles sont ensuite tendues après que les sangles avant ont été fixées pour sécuriser le fauteuil roulant. Positionnement du dispositif d'arrimage sur le fauteuil roulant

1. Emplacement des étiquettes d'arrimage à l'avant et à l'arrière (Fig. G - H).

2. Vue latérale des sangles d'arrimage (Fig. K).



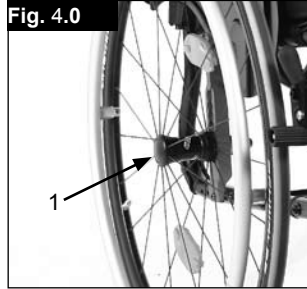
4.0 Manipulation

Axes à déverrouillage rapide de la roue arrière

Les roues arrière doivent être munies d'axe à déverrouillage rapide.

Les roues peuvent être démontées ou montées sans outils.

Pour démonter les roues, pressez sur le bouton d'arrêt (1) et retirez la roue arrière (Fig. 3.0).



⚠ ATTENTION !

Lors du montage, appuyez sur le bouton de l'axe à déverrouillage rapide et insérez l'axe dans le canon, tout en conservant le bouton pressé. Relâchez le bouton et la roue est bloquée. Le bouton d'arrêt doit revenir dans sa position de départ.

5.0 Transport du fauteuil

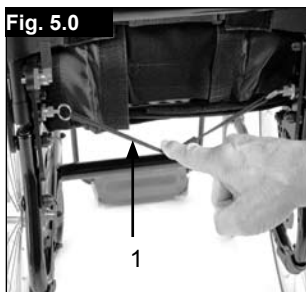
Transport du fauteuil

Les roues arrière sont démontables pour obtenir un fauteuil aussi compact que possible. Le dossier se rabat en tirant sur la corde (1) située sur le dossier (Fig. 5.0 + 5.1).

Pour ramener le dossier en position verticale, tirez dessus pour le redresser entièrement jusqu'à ce qu'il s'enclenche des deux côtés.

⚠ AVERTISSEMENT !

Vérifiez que le dossier est bien enclenché avant d'utiliser le fauteuil.



6.0 Options

Leviers de basculement

Le levier de basculement permet à l'accompagnateur(-trice) de faire basculer le fauteuil pour franchir un obstacle. Placez votre pied sur le tube d'appui pour faire franchir au fauteuil un trottoir ou une marche, par exemple, (Fig. 5.0).

⚠ ATTENTION !

Sunrise Medical recommande vivement l'installation d'un levier arrière de basculement sur les fauteuils où l'accompagnateur sera l'utilisateur principal. En l'absence de levier arrière de basculement, l'utilisation répétée du dossier et la force exercée dessus pour incliner le fauteuil aura pour effet d'endommager les montants du dossier.

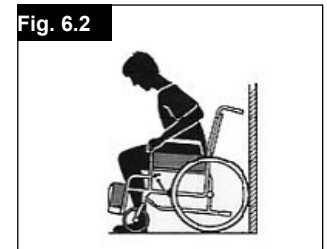
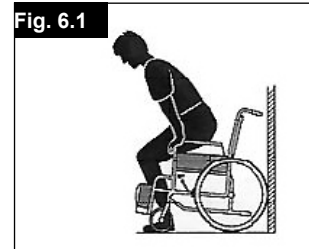


Vous asseoir dans votre fauteuil par vous-même

- Poussez le fauteuil roulant contre un mur ou contre un meuble solide ;
- Serrez les freins ;
- L'utilisateur peut s'installer dans le fauteuil ;
- Puis positionnez les pieds devant les sangles talonnières (Fig. 6.1).

Sortir de votre fauteuil par vous-même

- Serrez les freins ;
- La personne doit se pencher légèrement vers l'avant en se tenant d'une main sur la roue ou le garde-boue afin de transférer le poids de son corps vers l'avant du siège, puis levez-vous en poussant avec les deux pieds par-terre, un pied derrière l'autre. (Fig. 6.2).



Freins

⚠ ATTENTION !

La puissance de freinage peut être affectée par un mauvais montage ou réglage des freins, ainsi que par une pression trop faible des pneus.

Freins

Le fauteuil est équipé de deux freins d'immobilisation. Les freins agissent directement sur les pneus. Pour immobiliser votre fauteuil, serrez les deux leviers de freinage jusqu'à la butée avant. Tirez le levier de freinage en arrière pour le relâcher.



L'effet de freinage diminue quand :

- Les sculptures du pneu sont usées
- La pression des pneus est insuffisante
- Les pneus sont humides
- Le frein est mal réglé.

Les freins d'immobilisation ne sont pas destinés à être utilisés comme des freins de service. N'actionnez pas les freins en marche. Freinez toujours à l'aide des mains courantes. Veillez à ce que l'écartement entre le frein et le pneu soit conforme à la valeur indiquée. Pour régler, dévissez la vis et réglez le bon intervalle. Resserrez de nouveau la vis (Fig. 6.3 et 6.4).



⚠ ATTENTION !

Après avoir procédé au réglage des roues arrière, vérifiez toujours l'intervalle avec les freins d'immobilisation. Réajustez si nécessaire.

Rallonge du levier de frein

La rallonge vous permet de déployer moins d'efforts pour actionner les freins.

La rallonge est directement vissée aux freins. En le levant, le levier pourra être rabattu vers l'avant. (Fig. 6.5).

⚠ ATTENTION !

Plus les freins seront montés près de la roue, plus l'effort à fournir pour les actionner sera grand. Cela pourrait casser la rallonge du levier de frein !

Veillez à ne pas prendre appui sur la rallonge du levier lorsque vous montez ou descendez du fauteuil, car vous risqueriez de la casser ! L'eau projetée par les pneus peut réduire l'efficacité des freins d'immobilisation.

⚠ ATTENTION !

Si le frein n'est pas correctement monté, vous devrez forcer pour l'actionner.

Cela pourrait casser la rallonge du levier de frein.

Freins compacts

Les freins compacts se trouvent sous la toile du siège. Pour les activer, il suffit de tirer les freins vers l'arrière, en direction du pneu.

Pour que les freins fonctionnent correctement, il convient de les tirer jusqu'à ce qu'ils heurtent la butée, (Fig. 6.6).

**Freins à tambour**

Les freins à tambour permettent à l'accompagnateur de freiner en toute sécurité et de manière aisée. Ils peuvent être également montés avec un levier de verrouillage (1) pour éviter qu'ils ne se desserrent accidentellement. Le levier doit s'enclencher de manière audible. Le gonflage des pneus n'a aucune incidence sur les freins à tambour. Le fauteuil est immobilisé si les freins à tambour sont enclenchés, (Fig. 6.6.1).

**Palette****Palette - Aluminium**

Il existe plusieurs types de repose-pied. Ces repose-pieds se rabattent pour monter et descendre plus facilement du fauteuil.

**Longueur de la jambe inférieure (Fig. 6.7)**

En enlevant les vis de réglage (1), vous pouvez régler la longueur de jambe inférieure. Dévissez la vis de réglage, puis réglez la palette à la hauteur désirée sur le montant. Revissez les vis de réglage (Voir la section sur la force de torsion). Vérifiez que le joint en plastique est bien positionné sous la vis de réglage. Vérifiez que le joint en plastique est bien positionné sous la vis de réglage.

Palette - Aluminium

Il existe plusieurs types de repose-pied. Ces repose-pieds se rabattent pour monter et descendre plus facilement du fauteuil.

Palette de repose-pieds réglable en angle

La palette se rabat pour monter et descendre plus facilement du fauteuil, (Fig. 6.8 - 6.10).

Vous pouvez modifier l'angle d'inclinaison de la palette par rapport au sol.

Serrez la vis (1) sur la partie extérieure. Après avoir desserré les clips (2), vous pouvez régler la palette sur trois positions différentes, à la fois vers l'avant et vers l'arrière. La vis de réglage (3) permet de placer la palette en position horizontale. Pour cela, la palette doit être relevée. Après avoir procédé à vos réglages, vérifiez toujours d'avoir bien revissé toutes les vis (voir la section sur la force de torsion). Veillez à toujours conserver l'écart minimum de 2,5 cm avec le sol.

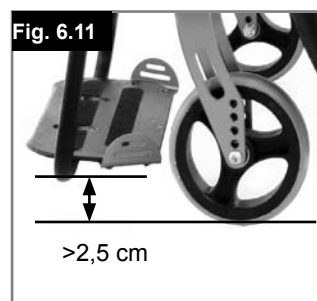
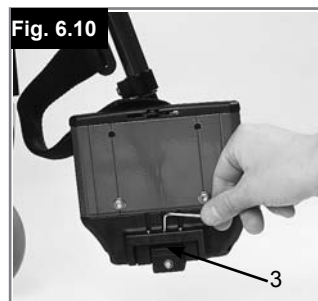
Palette - Composite**Palettes :**

Les repose-pieds peuvent être rabattus pour monter et descendre plus facilement du fauteuil.

Longueur de la jambe inférieure :

Pour les utilisateurs de grande taille, la palette peut être abaissée à la position désirée à l'aide des vis. Il suffit pour cela de dévisser les vis, de placer les tubes à la position désirée, puis de resserrer les vis (voir la section sur les couples de serrage).

Il doit également y avoir un minimum de 5 cm entre le repose-pied et vos talons. (Fig. 6.11)



Palette

Plaque de repose-pieds à inclinaison variable

Vous pouvez modifier l'angle d'inclinaison de la plaque par rapport au sol. Dévissez la vis, sortez-la, réglez la plaque à l'angle désiré, puis réinsérez la vis. Après avoir procédé au réglage désiré, revissez la vis. Après avoir procédé à vos réglages, vérifiez toujours d'avoir bien revissé toutes les vis (voir la section sur la force de torsion).

Veillez à toujours conserver l'écart minimum de 2,5 cm avec le sol (Fig. 6.12).

Fig. 6.12



Potence et verrou

Le repose-pied est rabattable sous le siège ou vers l'extérieur. Lors du montage du repose-pieds, les palettes doivent être orientées vers l'intérieur ou l'extérieur. Faites-le ensuite pivoter vers l'intérieur jusqu'à ce qu'il s'enclenche. Pour retirer le repose-pieds, tirez sur le levier (1), faites pivoter la potence vers l'intérieur ou l'extérieur, puis retirez le repose-pied en soulevant. Assurez-vous que le repose-pied est bien enclenché (Fig. 6.13 - 6.13.1).

Fig. 6.13

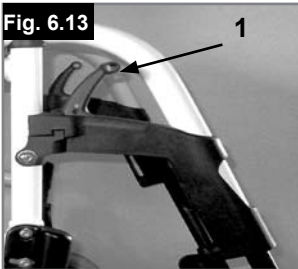
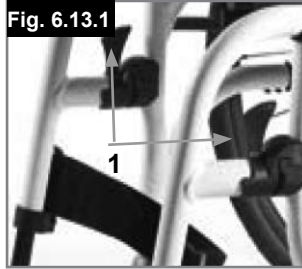


Fig. 6.13.1



⚠ AVERTISSEMENT !

- Pendant que vous relevez ou abaissez les repose-pieds, veillez à ne pas vous prendre les doigts dans le mécanisme de réglage situé entre le châssis et les pièces mobiles du repose-pieds.
- Ne jamais soulever ou porter le fauteuil en l'attrapant par les repose-pieds.
- Ne vous pincez pas les doigts !
- Ne mettez pas vos doigts dans le mécanisme de réglage, entre les pièces amovibles des repose-pieds lorsque vous levez ou abaissez ce dernier.

FIG. 6.14

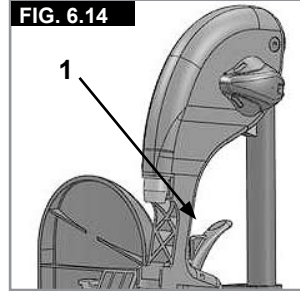
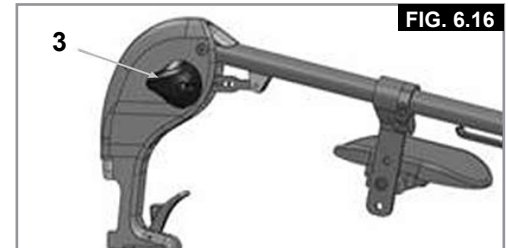
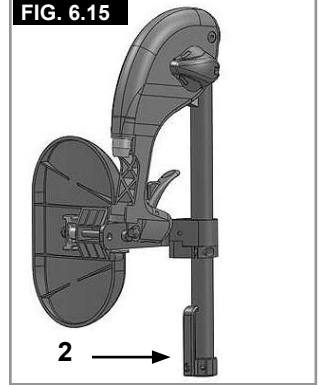


FIG. 6.15



⚠ AVERTISSEMENT !

- Ne jamais soulever ou porter le fauteuil en l'attrapant par le repose-pieds.
- Pour monter et descendre du fauteuil, ne prenez pas appui sur les palettes. Il convient au contraire de les rabattre et de les pivoter vers l'extérieur le plus possible.

Repose-jambes (en option)

(Fig. 6.14 - 6.16)

Pour retirer le repose-jambes, tirez sur le levier (1), faites pivoter la palette vers l'extérieur, puis soulevez et retirez le repose-jambe.

Réglage de la hauteur :

La longueur de la jambe inférieure peut se régler en desserrant la vis (2). Réglez à la hauteur désirée, puis resserrez la vis.

⚠ ATTENTION !

La distance entre la palette et le sol doit être d'au moins 40 mm.

Réglage de l'inclinaison :

Enfoncez d'une main le levier (3) vers le bas tandis que vous soutenez le repose-jambes avec l'autre main. Une fois l'angle d'inclinaison souhaité obtenu, relâchez le levier. Le repose-jambes s'enclenche alors dans l'une des positions prédéfinies.

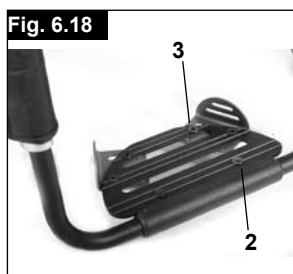
Réglage du repose-pied

Réglage du repose-pied

⚠ AVERTISSEMENT !

- **Accompagnateur :** Ne prenez jamais appui sur la palette. Même si l'utilisateur est assis dans son fauteuil, cela pourrait faire basculer le fauteuil et entraîner des blessures.
- **Utilisateur :** Lorsque vous montez ou descendez du fauteuil, ne prenez pas appui sur la palette, cela pourrait faire basculer le fauteuil et entraîner des blessures.

Enlevez la vis (1) pour régler le repose-pied à la longueur adapté à vos jambes puis rattachiez le repose-pied. L'angle du repose-pied peut se régler individuellement en desserrant les vis (2). Les cales latérales de la palette (3) empêchent tout glissement involontaire des pieds. Après avoir procédé à vos réglages, vérifiez toujours d'avoir bien revissé toutes les vis (voir la section sur la force de torsion) (Fig. 6.17 - 6.18).



Repose-pieds léger

Vous pouvez régler l'angle d'inclinaison du repose-pieds. Dévissez pour cela les vis (2). Vous pouvez installer des protections latérales sur le repose-pieds, qui s'insèrent dans les trous de montage (3). Celles-ci empêchent le pied de glisser accidentellement, (Fig. 6.18.1). Après avoir procédé à vos réglages, vérifiez toujours d'avoir bien revissé toutes les vis (voir la section sur la force de torsion).

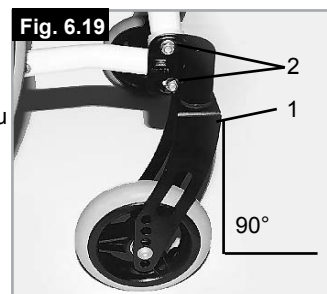


Roue avant

Roue avant, Support de fourche, Fourche (Fig. 6.19)

Il est possible que le fauteuil tire légèrement à droite ou à gauche ou que les roues avant aient du jeu. Cela peut être dû aux raisons suivantes :

- Le mouvement avant et arrière des roues n'est pas correctement réglé.
- Le réglage du carrossage n'est pas adapté.
- La pression et la souplesse des roues arrière et des roues avant ne sont pas adaptées.



Les roues avant doivent être réglées de façon optimale pour que le fauteuil roule de façon rectiligne. Les réglages des roues avant doivent toujours être confiés à un revendeur agréé.

En cas de modifications de la position de la roue arrière, les réglages du support de fourche et du frein doivent être contrôlés. Vérifiez la position de l'adaptateur de la roue avant (1) en plaçant une équerre à côté et en regardant par devant. Vérifiez que le support de fourche soit réglé au bon angle par rapport au sol. En dévissant les vis (2) et en déplaçant l'adaptateur, vous pouvez réajuster les roues à leur position optimale. Après avoir procédé à vos réglages, vérifiez toujours d'avoir bien revissé toutes les vis (voir la section sur la force de torsion).

Inclinaison réglable du dossier

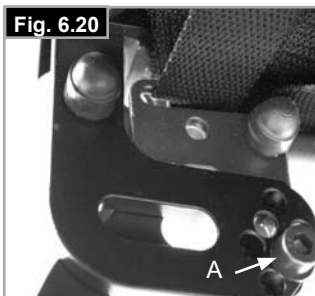
Dossier réglable en angle (Fig. 6.20)

Pour régler le dossier :

- Retirez les vis "A", des deux côtés.
- Inclinez le dossier à la position désirée.
- Remplacez les vis "A" et serrez-les.

⚠ ATTENTION !

Toutes les vis doivent être remplacées et resserrées correctement pour éviter tout mouvement involontaire susceptible de modifier l'angle d'inclinaison du dossier.



Dossier rabattable

Pour libérer le dossier, tirez sur la corde tout en poussant le dossier vers l'avant jusqu'à ce qu'il se rabatte. Pour ramener le dossier à sa position d'origine, tirez-le en arrière le plus possible jusqu'à ce qu'il s'enclenche des côtés (Fig. 6.21 - 6.22).



Toile du dossier réglable

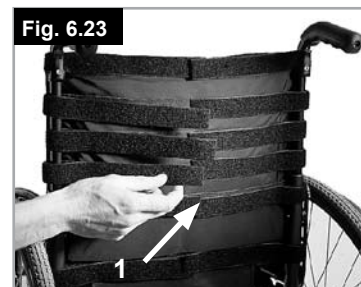
(Fig. 6.23)

Pour régler la tension de la toile du dossier, séparez les bandes Velcro® et glissez-les à travers les anneaux (1). Une fois la tension désirée obtenue, refermez les bandes Velcro l'une sur l'autre.

Procédez de la même façon pour chaque paire de bandes. Une fente permet d'accéder à la garniture de la toile depuis l'intérieur et la matière choisie peut varier selon les choix individuels.

⚠ AVERTISSEMENT !

Vérifiez d'avoir fermement refermé les bandes avant de réutiliser le fauteuil.



Protège-vêtements

Accoudoir réglable en hauteur à l'aide d'un outil

Installation : Glissez le montant dans le tube de logement jusqu'à ce qu'il heurte le fond

Réglage de la hauteur :

Glissez le montant hors du tube de logement.

Réglez la position de la bague de réglage de la hauteur (1).

Retirez pour cela la vis (2) et déplacez la bague à la position désirée. Remettez la vis et resserrez-la.

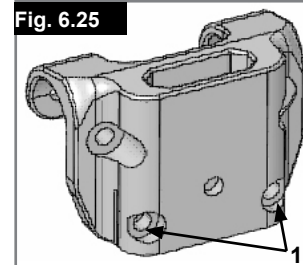
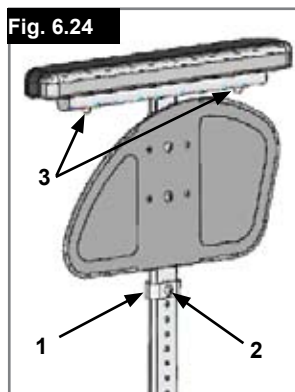
Glissez à nouveau le montant dans le tube de logement (Fig. 6.24).

Position de la manchette:

Réglez la position de la manchette. Desserrez pour cela les vis (3), puis déplacez la manchette à la position désirée. Resserrez les vis (Fig. 6.24).

Réglage du tube de logement de l'accoudoir

Vous pouvez régler le degré de serrage du tube de logement de l'accoudoir au moyen des 2 vis (1) - (Fig. 6.25).



Protège-vêtements

Accoudoirs réglables à montant unique

ATTENTION !

Ne jamais soulever le fauteuil par les accoudoirs ou les protections latérales.

1. Installation

- Faites glisser le montant de l'accoudoir dans le récepteur monté sur le châssis du fauteuil.
- L'accoudoir s'enclenche automatiquement.

2. Réglage de la hauteur

- Tournez le levier de réglage de la hauteur (2) jusqu'au deuxième point d'arrêt.
- Levez ou abaissez la manchette à la hauteur désirée.
- Refermez le levier en position verrouillée d'origine.
- Appuyez sur la manchette (4) jusqu'à ce que le montant s'enclenche en position et émette un clic.

3. Retrait de l'accoudoir

- Activez le levier 3 et soulevez l'accoudoir complet.

4. Insertion de l'accoudoir.

- Enfoncez le montant de l'accoudoir dans le récepteur, jusqu'à ce qu'il s'enclenche et émette un clic.

Montage des éléments composant le support de l'accoudoir

Réglage du jeu du récepteur de l'accoudoir

Pour réduire ou élargir le jeu intérieur du support de l'accoudoir :

- Desserrez les quatre vis (D) situées sur le côté du support.
- Laissez le montant de l'accoudoir dans le tube récepteur (E) et ajustez le serrage jusqu'à obtention du réglage souhaité.
- Resserrez les quatre vis (D). (144 pouces / lbs, 16,3 Nm)

Réglage de la position

- Dévissez les deux vis de serrage (10) jusqu'à ce que la mâchoire soit desserrée.
- Régler le tube récepteur de l'accoudoir à la position désirée.
- Revissez.

(Fig. 6.26 - 6.29).

- Montant de l'accoudoir
- Levier de réglage de la hauteur
- Levier de verrouillage
- Manchette de l'accoudoir
- Barre de transfert
- Protège-vêtement
- Récepteur
- Mâchoire de réglage
- Vis de réglage du récepteur d'accoudoir
- Vis de serrage

Fig. 6.26

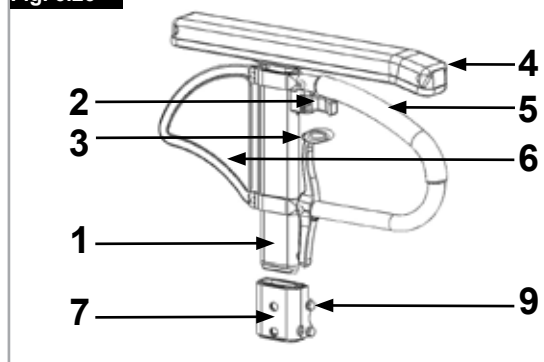


Fig. 6.27

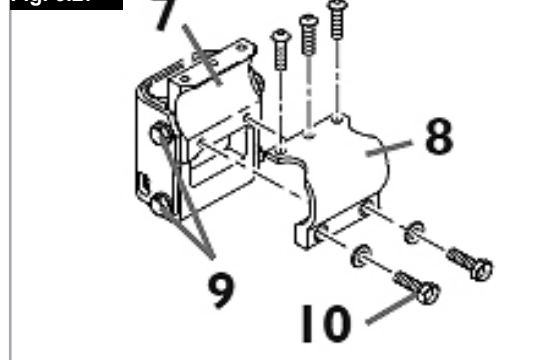


Fig. 6.28

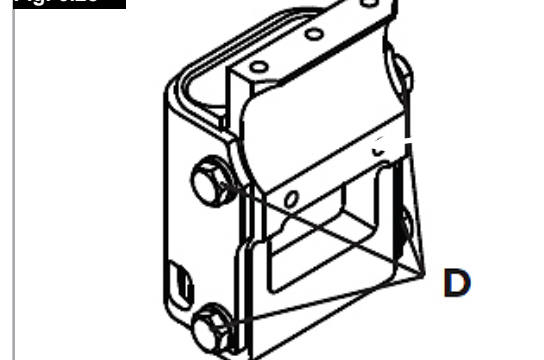
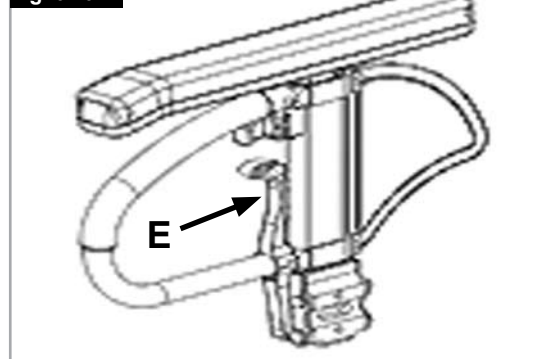


Fig. 6.29



Protège-vêtement avec garde-boue (Fig. 6.30)

Le garde-boue empêche les vêtements d'être salis par les projections d'eau. Vous pouvez régler la position par rapport à la roue arrière en déplaçant le protège-vêtement. Pour cela, retirez les vis de fixation (1 et 2). Après avoir réglé le protège-vêtement à la position désirée, resserez les vis (reportez-vous à la page des couples de serrage).

⚠ ATTENTION !

Ne jamais soulever le fauteuil par les accoudoirs ou les protège-vêtements

Poignées de poussée**Poignées de poussée réglables en hauteur (Fig. 6.31)**

Les poignées sont maintenues en place par des goupilles qui les empêchent de sortir accidentellement. En ouvrant le levier de serrage, il est possible de régler la hauteur des poignées de poussée en fonction de vos besoins. Lors de l'enclenchement du levier, un clic vous indiquera que vous pouvez mettre aisément la poignée à pousser dans la position souhaitée. L'écrou du levier de serrage détermine le serrage au niveau du support de la poignée de poussée. Après enclenchement du levier, si l'écrou est desserré, la poignée sera lâche. Avant utilisation, vérifiez que le serrage est suffisant en faisant pivoter latéralement la poignée. Après avoir réglé la hauteur de la poignée, serrez fermement le levier de serrage. Quand le levier de serrage n'est pas serré, cela peut occasionner des blessures lors de la montée d'escaliers.

Poignée de poussée**Poignées de poussée escamotables (Fig. 6.32)**

Lorsqu'elles ne sont pas utilisées, les poignées peuvent être rabattues à l'aide d'un bouton poussoir (1). Dépliez-les jusqu'à ce qu'elles soient encliquetées avant de les utiliser.

Roulettes anti-basculé**Roulettes anti-basculé (Fig. 6.33)**

Les roulettes anti-basculé (1) assurent aux utilisateurs inexpérimentés une sécurité renforcée pendant l'apprentissage de leur fauteuil. Les roulettes anti-basculé (1) empêchent le fauteuil de basculer vers l'arrière. Vous pouvez rabattre la roulette anti-basculé (1) vers le bas en appuyant dessus ou la faire pivoter vers l'extérieur. Respectez l'écart de 3 à 5 cm entre les roulettes et le sol. Pour franchir ou descendre un obstacle (comme un trottoir par exemple), les roulettes anti-basculé doivent être relevées pour éviter qu'elles ne touchent le sol.

⚠ AVERTISSEMENT !

Un mauvais réglage des roulettes anti-basculé augmente le risque pour le fauteuil de basculer en arrière.

Porte-canne**Porte-canne (Fig. 6.34)**

Le porte-canne vous permet de toujours transporter votre canne avec vous. Une bande Velcro sert à fixer la canne ou tout autre système d'aide à la marche.

⚠ ATTENTION !

Ne tentez jamais d'utiliser / de retirer la canne ou tout autre système d'aide à la marche pendant le déplacement du fauteuil.

Fig. 6.30



Fig. 6.31



Fig. 6.32

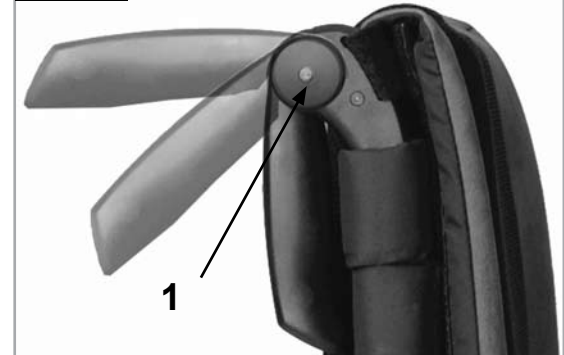


Fig. 6.33



Fig. 6.34





Ceinture pelvienne

⚠ AVERTISSEMENT !

- Avant d'utiliser le fauteuil, vérifiez que la ceinture pelvienne est bien en place.
- La ceinture pelvienne doit être contrôlée quotidiennement afin de s'assurer que son fonctionnement n'est pas altéré par des éléments divers, ni par l'usure.
- Vérifiez toujours que la ceinture pelvienne est bien fixée et correctement réglée avant d'utiliser le fauteuil.
- Une sangle trop lâche peut entraîner le glissement de l'utilisateur et causer un risque de suffocation ou des blessures graves.

La ceinture pelvienne est fixée sur le fauteuil comme indiqué dans les illustrations. La ceinture de sécurité se comprend de 2 moitiés. Elles sont installées en utilisant le boulon de maintien existant du siège fixé à travers l'œillet de la ceinture. La ceinture est passée sous l'arrière du panneau latéral. Ajustez la position de la ceinture afin que les attaches soient au centre du siège. (Fig. 6.35 - 6.36)

Ajustez la ceinture sous-abdominale afin de convenir aux besoins de l'utilisateur comme ci-après :

Pour réduire la longueur de la ceinture	Pour augmenter la longueur de la ceinture
	
Passez la ceinture par l'attache mâle et le dispositif de réglage coulissant. Assurez-vous que la ceinture n'a pas de nœud au niveau de l'attache mâle.	Passez la ceinture par les dispositifs de réglage coulissant et l'attache mâle afin d'obtenir plus de longueur de ceinture.

Une fois la ceinture attachée, vérifiez l'espace entre la ceinture pelvienne et l'utilisateur : Si la ceinture est correctement réglée, vous pouvez passer la main à plat entre la ceinture pelvienne et l'utilisateur, (Fig. (Fig. 6.37).

La ceinture sous-abdominale doit être fixée de façon à ce que la ceinture soit à un angle de 45 degrés au travers du bassin de l'utilisateur. L'utilisateur doit être bien droit et le plus à l'arrière possible dans le siège quand réglée correctement. La ceinture sous-abdominale ne doit pas permettre à l'utilisateur de glisser du siège.



	
Pour attacher la ceinture : Poussez l'attache mâle de façon ferme dans l'attache femelle.	Pour retirer la ceinture : Appuyez sur les parties exposées de l'attache mâle vers le centre tout tirant doucement pour les séparer.

Fig. 6.35



Fig. 6.36



Fig. 6.37



⚠ AVERTISSEMENT !

- Si vous avez des doutes au sujet de l'utilisation et de la manipulation de la ceinture demandez l'assistance de votre professionnel de la santé, de votre fournisseur du fauteuil roulant, de votre aide-soignant ou de votre tierce personne.
- La ceinture sous-abdominale ne doit être installée que par un revendeur ou agent Sunrise Medical autorisé. La ceinture sous-abdominale doit être ajustée par un professionnel uniquement, ou un revendeur ou agent Sunrise Medical autorisé.
- La ceinture sous-abdominale doit être contrôlée quotidiennement afin de s'assurer que l'ajustement est correct et que son fonctionnement n'est pas altéré par des éléments divers ou par l'usure.
- Sunrise Medical déconseille le transport de toute personne dans un véhicule utilisant la ceinture sous-abdominale en tant que moyen de retenue. Veuillez consulter la brochure du transit Sunrise Medical afin d'obtenir des conseils sur le transport des personnes.

Entretien :

Vérifiez régulièrement l'état de la ceinture et des composants de retenue afin de détecter l'apparition d'éventuels signes d'endommagement ou de déchirure. Remplacez la ceinture, si nécessaire.

REMARQUE :

La ceinture sous-abdominale doit être réglée de façon à s'adapter à l'utilisateur comme détaillé ci-dessus. Sunrise Medical recommande que la longueur et l'ajustement de la ceinture soient vérifiés régulièrement afin de réduire les risques de réajustement de la ceinture à une longueur excessive causés par inadvertance par l'utilisateur final.

Roulettes de transit

Roulettes de transit (Fig. 6.38)

Il faut utiliser les roulettes de transit partout où le fauteuil est trop large à cause de ses roues arrière. Après avoir retiré les roues arrière grâce à l'axe à déverrouillage rapide, vous pouvez les remplacer immédiatement par les roulettes de transit et reprendre votre chemin. Ces roulettes sont montées de manière à être environ 3 cm au-dessus du sol quand elles ne sont pas utilisées. Elles ne créent de ce fait aucun gêne pour avancer, et lors du transport ou du basculement.

⚠ ATTENTION !

Sans ses roues arrière, votre fauteuil n'a pas de freins d'immobilisation.

Fig. 6.38



7.0 Pneus et montage des pneus

Le fauteuil est équipé de série de pneus à bandage en caoutchouc.

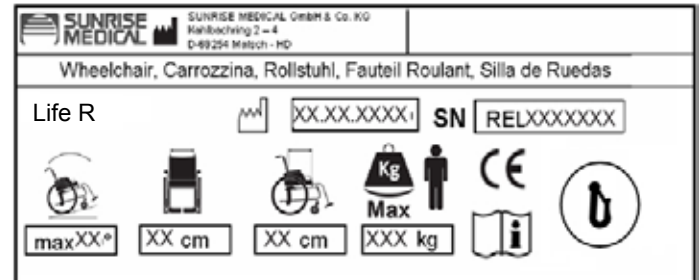
Avec des pneus à chambre à air, veillez à toujours avoir la bonne pression, à défaut de quoi la performance du fauteuil pourrait être affectée. Quand la pression est insuffisante, il faut dépenser plus d'énergie car la résistance du fauteuil est très élevée. La maniabilité du fauteuil en est réduite. Le pneu peut éclater si la pression est trop élevée. La pression correcte est indiquée sur le bandage du pneu.

Les pneus se montent comme des pneus de vélo ordinaires. Avant de remplacer la chambre à air, inspectez la jante et la paroi interne du pneu et enlevez tout éventuel corps étranger. Vérifiez la pression des pneus après le montage ou la réparation. Il est important pour votre propre sécurité et pour une bonne performance de votre fauteuil de vérifier la pression de l'air régulièrement et de maintenir les pneus en bon état.

8.0 Plaque signalétique

Plaque signalétique

La plaque signalétique se trouve sur les tubes de traverse, ainsi que sur une étiquette dans le manuel d'utilisation. La plaque indique la dénomination exacte du modèle et fournit diverses informations techniques. Pour une commande de pièces de rechange ou une réclamation, indiquez SVP les informations suivantes :



Life R
XXXXX-XXX

Désignation du produit/Numéro de SKU.



Pente maximale pouvant être abordée par le fauteuil équipé de roulettes anti-basculé. Dépend de la configuration du fauteuil, de la posture et des capacités physiques de l'utilisateur.



Largeur du siège.



Profondeur (maximale).



Charge maximale.



Marquage CE



Manuel d'utilisation



Essais de choc



Date de fabrication



Numéro de série.

En raison de notre politique d'amélioration continue dans la conception de nos fauteuils roulants, les spécifications des produits peuvent légèrement différer des exemples illustrés dans le présent manuel. Toutes les valeurs relatives aux poids et aux dimensions et les données de performance sont approximatives et fournies à titre d'information uniquement. Les fauteuils de Sunrise Medical sont fabriqués conformément à la directive 93/42/CEE relative aux dispositifs médicaux.



Tous les fauteuils roulants doivent être utilisés conformément aux instructions du fabricant.

ZAC de la Vrillonnerie
17 Rue Michael Faraday
37170 Chambray-Lès-Tours
France
Tel : 02 47 55 44 00
Fax : 02 47 55 44 03
www.SunriseMedical.fr

9.0 Maintenance et entretien

Contrôle de sécurité :

En tant qu'utilisateur, vous êtes le mieux placé pour remarquer toute éventuelle anomalie. Par conséquent, nous vous recommandons de contrôler les éléments suivants avant chaque utilisation :

- la pression des pneus est correcte.
- les freins fonctionnent correctement.
- tous les organes amovibles sont correctement attachés (par ex. accoudoirs, potences de repose-pieds, axes à déverrouillage rapide ...).
- En cas d'endommagement ou de dysfonctionnement, contactez votre revendeur agréé.

Entretien :

Contrôlez la pression des pneus à intervalles réguliers. Inspectez tous les pneus afin de déceler tout signe d'usure ou d'endommagement, à intervalles réguliers, au moins une fois par an. Changez les pneus dès l'apparition de signes d'usure ou d'endommagement.

Inspectez le siège et la toile du dossier afin de déceler tout signe d'usure ou d'endommagement, à intervalles réguliers, au moins une fois par an. Remplacez-les dès l'apparition de signes d'usure ou d'endommagement.

Inspectez tous les composants du châssis et du dossier afin de déceler tout signe d'usure ou d'endommagement, à intervalles réguliers, au moins une fois par an. Remplacez-les dès l'apparition de signes d'usure ou d'endommagement.

Inspectez les freins afin de déceler tout signe d'usure ou d'endommagement, à intervalles réguliers, au moins une fois par an. Vérifiez qu'ils fonctionnent correctement et qu'ils sont faciles à actionner. Changez les freins dès l'apparition de signes d'usure ou d'endommagement.

Vérifiez que tous les boulons sont bien serrés (Voir la section sur les couples de serrage), à intervalles réguliers, au moins une fois par an. Tous les boulons essentiels à une utilisation sécurisée du fauteuil sont dotés d'écrous freinés. Les écrous de sécurité ne doivent être utilisés qu'une seule fois. Après une utilisation répétée, vous devez remplacer ces écrous.

REMARQUE : En présence de valeurs de couples de serrage, nous recommandons vivement l'utilisation d'un outil de mesure du couple afin de vous assurer d'avoir serré les organes à la torsion adéquate.

Si votre fauteuil est sale, nettoyez-le uniquement avec un nettoyant ménager doux. Nettoyez la toile du siège et la ceinture sous-abdominale à l'eau et au savon uniquement.

Selon la fréquence et le type d'utilisation de votre fauteuil, il est recommandé de l'amener régulièrement chez votre revendeur agréé, au moins une fois par an, afin de le faire réviser par du personnel formé à cet effet.

ATTENTION !

Le sable, le sel et l'eau de mer peuvent endommager les roulements des roues avant et arrière. Nettoyez et séchez soigneusement le fauteuil s'il a été exposé à ces éléments.

Consignes d'hygiène avant réutilisation :

Veillez à toujours apprêter le fauteuil soigneusement avant de le réutiliser et à désinfecter toutes les surfaces susceptibles d'entrer en contact avec l'utilisateur.

Pour un nettoyage rapide, vous pouvez utiliser un désinfectant à base d'alcool, similaire à ceux utilisés pour les produits et les instruments médicaux.

Suivez bien les consignes du fabricant du désinfectant de votre choix.

10.0 Dépannage

Le fauteuil tire sur le côté

- Vérifiez la pression des pneus.
- Vérifiez que la roue (roulement, axe) roule sans problèmes.
- Vérifiez l'angle des roues avant
- Vérifiez si les roues avant sont toutes les deux en contact avec le sol.

Les roues avant oscillent

- Vérifiez l'angle des roues avant
- Vérifiez que les visseries sont fixes, resserrez-les le cas échéant (voir la page des couples de serrage)
- Vérifiez si les roues avant sont toutes les deux en contact avec le sol.

Le fauteuil grince et cliquette

- Vérifiez que les visseries sont fixes, resserrez-les le cas échéant (voir la page des couples de serrage)
- Graissez légèrement les parties articulées.

Le fauteuil a du jeu

- Vérifiez l'angle des roues avant
- Vérifiez la pression des pneus.
- Vérifiez si les roues arrière sont réglées différemment.

11.0 Mise au rebut / Recyclage des matériaux

REMARQUE : Si ce fauteuil vous a été remis gratuitement, il pourrait ne pas vous appartenir. Si vous n'en avez plus usage, respectez les consignes énoncées par l'organisme qui vous l'a fourni afin de le lui rendre.

Les informations suivantes décrivent les différents matériaux composant le fauteuil en vue de la mise au rebut ou du recyclage du fauteuil et de ses matériaux d'emballage. Vous devez respecter toute réglementation spécifique en vigueur dans votre localité relative à la mise au rebut et au recyclage (notamment le nettoyage ou la décontamination du fauteuil roulant avant sa mise au rebut).

Aluminium : Fourches, roues, protège-vêtement, accoudoirs, châssis, repose-jambes, poignées de poussée

Acier : Fixations, axes à déverrouillage rapide

Plastique : Poignées, capuchons des tubes, roues avant, palettes, manchettes et roue/pneu de 12 pouces

Emballage : Sachet en polythène de faible densité, carton

Garniture : Polyester tissé à revêtement PVC et mousse expansée à combustion modifiée.

La mise au rebut ou le recyclage doit être assuré par un agent spécialisé ou une décharge agréée. Vous pouvez également renvoyer votre fauteuil à votre revendeur qui se chargera de sa mise au rebut.



12.0 Caractéristiques techniques

Largeur totale :

Avec roues standard, main-courante, montage étroit :
min. = 540 mm, max. = 720 mm

Hauteur totale :

min. = 750 mm, max. = 950

Longueur totale avec repose-pieds :

min. = 935 mm, max. = 1075 mm.

Charge maximum : 125 kg, (100 kg avec "handbike" essieu).

Poids en kg :

min. = 11 kg, max. = 15 kg

Poids de la pièce la plus lourde (roue) = 2,2 kg

Repose-pieds = 0,8 kg

Protège-vêtement = 1,3 kg

Roue (individuelle) = 2,2 kg

VOIR ÉGALEMENT LA PAGE 6

13.0 Couple réel

Sauf indication contraire, le couple de serrage pour les vis M6 est de 7 Nm.

Reportez-vous à la page 7 pour plus d'informations

REMARQUES SUPPLÉMENTAIRES -

Conformément à la norme EN12183: 2009, toutes les pièces mentionnées dans le présent manuel (toile du siège/dossier, manchette, protège-vêtement...) sont résistantes au feu (norme EN1021-2).

Le degré d'inclinaison maximum des pentes dépend de la configuration du fauteuil, des capacités de l'utilisateur et du style de conduite. Les capacités de l'utilisateur et son style de conduite ne pouvant être prédéfinis, le degré d'inclinaison maximum des pentes ne peut être déterminé. Il revient donc à l'utilisateur, assisté de son accompagnateur, de déterminer l'inclinaison maximale afin d'éviter tout risque de basculement. Il est vivement recommandé d'installer des roulettes anti-basculer pour les utilisateurs inexpérimentés.

Le fauteuil est conforme aux normes suivantes :

- a) Exigences et méthodes d'essai pour la résistance statique, la résistance aux chocs et la résistance à la fatigue (ISO 7176-8)
- b) Exigences en matière de résistance à l'inflammation des parties rembourrées conformément à ISO 7176-16 (EN 1021-1)

Inhoudsopgave

Definities	42
Voorwoord	43
Gebruik	43
Toepassingen	43
1.0 Algemene veiligheidstips en rijbeperkingen	44
2.0 Garantie	45
3.0 Transport	46
4.0 Gebruik	48
5.0 De rolstoel vervoeren	48
6.0 Opties	48
Trapdop	48
Remmen	48
Voetplaten	49
De hoogte van de voetenplaat instellen	51
Zwenkwiel	51
Hoekverstelbare rugleuning	52
Zijkanten	52
Duwhandvatten	54
Duwhandvat	54
Anti-tip wielen	54
Krukkenhouder	54
Heupgordel	55
Transitwielen	56
7.0 Banden en montage	56
8.0 Sticker	56
9.0 Algemeen onderhoud	57
10.0 Mogelijke problemen	57
11.0 Afvalverwerking / recycling van materialen	57
12.0 Technische gegevens	58
13.0 Koppel	58

OPMERKING:

De getoonde en beschreven rolstoelen in deze gebruikershandleiding kunnen op sommige punten van uw eigen model afwijken. Alle instructies zijn echter belangrijk, ongeacht de verschillen in detail. De fabrikant houdt zich het recht voor zonder opgaaf gegevens met betrekking tot gewicht, maten of andere technische gegevens zoals genoemd in deze handleiding, te wijzigen. Alle afbeeldingen, maten en mogelijkheden zoals getoond in deze handleiding zijn slechts indicatief en bevatten geen specificaties.

Definities

3.1 Betekenis van woorden die in deze handleiding worden gebruikt

Woord	Definitie
 GEVAAR!	De gebruiker wordt geattendeerd op de kans op ernstig letsel of overlijden indien het advies niet wordt opgevolgd.
 WAARSCHUWING!	De gebruiker wordt geattendeerd op de kans op letsel indien het advies niet wordt opgevolgd.
 OPGELET!	De gebruiker wordt geattendeerd op de kans op schade aan de apparatuur indien het advies niet wordt opgevolgd.
OPMERKING:	Algemeen advies of beste gebruik
	Verwijzing naar aanvullende documentatie

OPMERKING:

Noteer het adres en telefoonnummer van uw plaatselijke dealer in de daarvoor bestemde ruimte. Neem in het geval van storingen contact op met de dealer en probeer zoveel mogelijk relevante informatie te geven zodat men u snel kan helpen.

Stempel en handtekening dealer

Voorwoord

Beste klant,

Wij zijn erg blij dat u gekozen hebt voor een kwalitatief hoogstaand SUNRISE MEDICAL-product.

In deze gebruikshandleiding vindt u tal van tips en ideeën waarmee u van uw nieuwe rolstoel een betrouwbare partner in uw leven kunt maken.

Wij van Sunrise vinden het heel belangrijk om goede banden met onze klanten te onderhouden. Daarom willen wij u op de hoogte houden van de huidige en de nieuwe ontwikkelingen in ons bedrijf. Een goede band met onze klanten betekent ook: snelle service, uitstekende toegankelijkheid en nauwe samenwerking met onze klanten. Wanneer u vervangende onderdelen of accessoires nodig hebt, of een vraag over uw rolstoel hebt, staan wij voor u klaar.

Wij willen dat u tevreden bent over onze producten en diensten. Bij Sunrise werken we voortdurend aan verdere ontwikkeling van onze producten. Dat maakt dat de vorm, de technologie en de uitrusting van onze producten kan veranderen. Er zijn dan ook geen juridische vorderingen mogelijk op basis van de gegevens of de afbeeldingen in deze gebruikershandleiding.

Het managementsysteem van SUNRISE MEDICAL is gecertificeerd en voldoet aan de EN ISO 9001, ISO 13485 en ISO 1400 normen.



SUNRISE MEDICAL, als fabrikant, verklaart dat de lichtgewicht rolstoelen zijn geproduceerd conform de Europese richtlijnen 93/42/EEG / 2007/47/EEG.

Heeft u vragen over het gebruik, het onderhoud of de veiligheid van uw rolstoel, neem dan contact op met uw plaatselijke erkende dealer van SUNRISE MEDICAL.

Is er geen erkende dealer in uw regio of hebt u vragen, neem dan schriftelijk of telefonisch contact op met Sunrise Medical:

Sunrise Medical B.V.
Groningenhaven 18-20
3433 PE NIEUWEGEIN
The Netherlands
T: +31 (0)30 – 60 82 100
F: +31 (0)30 – 60 55 880
E: info@sunrisemedical.nl
www.SunriseMedical.nl



GEBRUIK UW ROLSTOEL NIET TOT U DEZE GEBRUIKSAANWIJZING HEEFT GELEZEN EN BEGREPEN.

Gebruik

Rolstoelen zijn uitsluitend bedoeld voor gebruikers die niet of verminderd mobiel zijn. De rolstoel is bedoeld voor persoonlijk gebruik, zowel binnens- als buitenshuis.

Het maximale gewicht dat de stoel kan dragen staat vermeld bij het serienummer; dit vindt u aan de kruisstang of stabiliseerstang onder de zitting. Het maximale gewicht is het totale gewicht van de gebruiker en de op de rolstoel gemonteerde accessoires.

Aansprakelijkheid wordt uitsluitend geaccepteerd indien het product wordt gebruikt onder die specifieke omstandigheden en voor het doel waarvoor het product is gemaakt. De verwachte levensduur van de rolstoel is vijf jaar. Monteer of gebruik GEEN onderdelen van andere partijen op de rolstoel, tenzij deze officieel goedgekeurd zijn door Sunrise Medical.

GEVAAR!

- Monteer nooit niet-erkend elektrisch apparatuur.
- Monteer geen elektrisch aangedreven, of mechanisch functionerende mobiliteitshulpmiddelen, aandrijfmiddelen, handbikes of andere mechanismen waardoor het bedoelde gebruik of de structuur van de rolstoel wordt gewijzigd.
- Voor iedere combinatie met andere medische hulpmiddelen is rechtstreekse goedkeuring van Sunrise Medical nodig.

Toepassingen

De keuze aan beschikbare accessoires en het modulaire ontwerp betekenen dat de rolstoel kan worden gebruikt door personen die niet kunnen lopen of beperkt mobiel zijn vanwege:

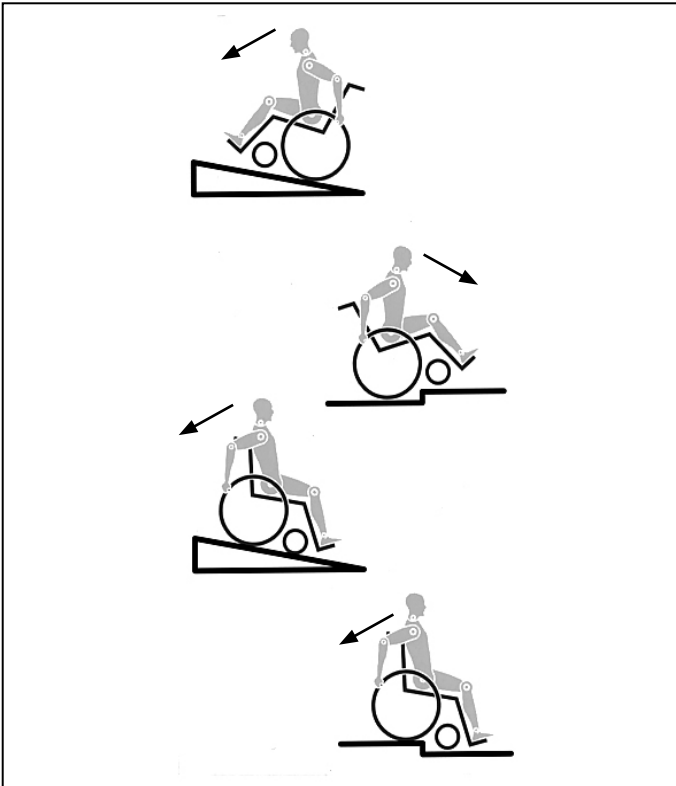
- Verlamming
- Amputatie (van been of benen)
- Disfunctioneren of misvorming van been of benen
- Contractuur van/letsel aan gewrichten
- Ziektes zoals hart- en circulatieafwijkingen, evenwichtsstorings of cachexie evenals voor oudere mensen die nog kracht in het bovenlichaam hebben.

Wanneer levering/aanschaf van een rolstoel wordt overwogen, neem dan de volgende zaken in overweging: lichaamsgrootte, gewicht, fysieke en psychische toestand, leeftijd, leefomstandigheden en -omgeving.

Gebruiksvoorwaarden

De rolstoel kan zowel binnen als buiten worden gebruikt op droge, relatief gladde ondergrond; zowel met de instelling voor voortbeweging door de gebruiker zelf, of door een begeleider. Het wordt niet aanbevolen om de rolstoel te gebruiken tijdens storm, zware regenval, sneeuw en ijs, of andere extreme weersomstandigheden.

1.0 Algemene veiligheidstips en rijbependingen



De techniek en constructie van deze rolstoel zijn ontworpen voor het bieden van maximale veiligheid. Aan de momenteel van kracht zijnde internationale veiligheidsnormen is voldaan en zij zijn overtroffen. Toch kunnen gebruikers zichzelf in gevaar brengen door onjuist gebruik van hun rolstoel. Voor uw eigen veiligheid moeten de volgende regels absoluut worden opgevolgd.

Onprofessionele of foutieve aanpassingen of instellingen kunnen de kans op ongelukken vergroten. Als rolstoelgebruiker maakt u, net als andere weggebruikers, deel uit van het dagelijkse verkeer op straten en trottoirs. Wij herinneren u er aan dat u daardoor ook onderworpen bent aan alle verkeerswetgeving.

Wees voorzichtig tijdens uw eerste rit in deze rolstoel. Leer uw rolstoel kennen.

Voor elk gebruik, moet het volgende worden gecontroleerd:

- Quick release assen op de achterwielen
- Velcro op de zittingen en rugleuningen
- Banden, bandendruk en parkeerremmen.

Alvorens aanpassingen van deze rolstoel te wijzigen, is het belangrijk het bijbehorende deel van de gebruiksaanwijzing te lezen.

Het is mogelijk dat de rolstoel door kuilen of oneffen oppervlakken kan kantelen, in het bijzonder wanneer heuvel op of af wordt gereden. Wanneer over een trede of helling op wordt gereden, moet het lichaam naar voren zijn gebogen.

⚠ GEVAAR!

- Overschrijd NOOIT de maximale belasting van 125 kg, (100 kg met handbike as), voor bestuurder plus voorwerpen die op de rolstoel worden meegenomen. Als u de maximale belasting overschrijdt, kan dit leiden tot schade aan de stoel, of u kunt omvallen of omkantelen, de controle verliezen, wat ernstig letsel aan de gebruiker en andere personen tot gevolg kan hebben.
- Draag lichte of reflecterende kleding wanneer u in het donker naar buiten gaat. Zo wordt u gemakkelijker gezien. Zorg ervoor dat de reflectoren op de zij- en achterkant van de rolstoel duidelijk zichtbaar zijn. Sunrise adviseert tevens gebruik te maken van verlichting.
- Om vallen en gevaarlijke situaties te voorkomen, is het verstandig om eerst met uw nieuwe rolstoel te oefenen op een vlakke ondergrond, bij goed zicht.

- Gebruik de voetplaten niet als u in of uit de rolstoel stapt. Deze moeten van tevoren omhoog worden geklapt en zo ver mogelijk naar buiten worden gedraaid. Plaats uzelf altijd zo dicht mogelijk bij de plek waar u wilt gaan zitten.
- Gebruik uw rolstoel alleen voor het daarvoor bestemde doel. Bijvoorbeeld, probeer niet tegen een voorwerp op te rijden zonder te remmen (opstapje, trottoirrand) of verschillen in afstapjes.
- De parkeerremmen zijn niet bedoeld om als rem voor uw rolstoel te dienen. Zij dienen er slechts voor om te voorkomen dat uw rolstoel onbedoeld begint te rollen. Wanneer u op een oneffen oppervlak stopt, dient u altijd uw parkeerremmen te gebruiken om weggrollen te voorkomen. Gebruik altijd beide parkeerremmen anders kan uw rolstoel kantelen.
- Onderzoek het effect van het veranderen van het zwaartepunt op het gedrag van de rolstoel op bijvoorbeeld hellingen of wanneer u obstakels neemt. Doe dit met de hulp van een begeleider.
- Met extreme instellingen (bijv. achterwielen in de voorste positie) en minder dan perfecte houding, kan de rolstoel zelfs op een effen oppervlak omkantelen.
- Leun met uw bovenlichaam naar voren als u hellingen en opstapjes opgaat.
- Leun met uw bovenlichaam verder naar achteren, wanneer u van een helling of afstapje afgaat. Probeer nooit diagonaal een helling op of af te gaan.
- Gebruik nooit een roltrap, aangezien u hier vanaf kunt vallen wat ernstig letsel kan veroorzaken.
- Gebruik de rolstoel niet op hellingen steiler dan $> 10^\circ$. De werking van de Dynamic beveiliging hangt af van de instellingen van de stoel, de capaciteiten van de gebruiker en de rijstijl. Omdat Sunrise Medical vooraf niet kan voorzien hoe de capaciteiten en rijstijl van de gebruiker is, kan de maximale veilig te nemen helling niet worden bepaald. Daarom moet dit door de gebruiker worden bepaald, samen met een begeleider, die kan voorkomen dat de rolstoel kantelt. Sunrise Medical adviseert onervaren gebruikers anti-tip wielen te laten installeren.
- Het is mogelijk dat de rolstoel door kuilen of oneffen oppervlakken kan kantelen, in het bijzonder wanneer heuvel op of af wordt gereden.
- Gebruik de rolstoel niet op modderige of bevroren (gladde) ondergrond. Daar waar voetgangers niet zijn toegestaan, mag u ook niet met de rolstoel rijden.
- Steek nooit uw handen tussen de spaken of tussen het achterwiel en wielvergrendeling terwijl u rijdt. Dit kan leiden tot letsel aan de handen.
- Met name bij het gebruik van lichtgewicht hoepels, worden vingers gemakkelijk warm bij het remmen op hoge snelheid of op steile hellingen.
- Gebruik geen trappen zonder de hulp van een begeleider. Er bestaan middelen om u te helpen, bijv. hellingen op te gaan of de lift te gebruiken. Wij raden u aan deze te gebruiken. Als deze niet beschikbaar zijn, dient de rolstoel naar achteren te worden gekanteld en over de treden te worden geduwd (2 helpers), maar mag nooit worden getild. Wij raden aan dat gebruikers die zwaarder dan 100 kg zijn deze manier om trappen te nemen, niet gebruiken.
- Over het algemeen moeten anti-tip wielen vooraf zodanig worden ingesteld dat ze de treden niet kunnen raken, omdat dit tot een ernstige val zou kunnen leiden. Naderhand moeten de anti-tip wielen weer in de oude positie worden teruggebracht.
- Zorg ervoor dat de begeleider de rolstoel alleen aan stevig bevestigde onderdelen vasthoudt (bijv. niet aan de voetsteunen of zijbescherming).
- Wanneer u de rolstoellift gebruikt, dient u ervoor te zorgen dat de aangebrachte anti-tip wielen buiten de gevarenszone zijn geplaatst.
- Gebruik de remvergrendeling om de stoel vast te zetten wanneer u zich op ongelijke grond bevindt of wanneer de rolstoel bijvoorbeeld in een auto wordt geplaatst.

- Wanneer gebruik wordt gemaakt van een speciaal voor gehandicaptenvervoer ingericht voertuig, dienen de personen die worden vervoerd, voor zover mogelijk, gebruik te maken van de stoelen van het voertuig en het juiste gordelsysteem. Alleen op deze wijze genieten de personen optimale bescherming indien een ongeluk plaatsvindt. Wanneer u de veiligheidselementen van SUNRISE MEDICAL en een speciaal ontwikkeld veiligheidssysteem gebruikt, kunnen lichtgewicht rolstoelen tijdens vervoer in een speciaal uitgerust voertuig als stoel worden gebruikt. (Zie het hoofdstuk over "Vervoer").
- Afhankelijk van de diameter en instelling van de zwenkwielen evenals de instelling van het zwaartepunt van de rolstoel, kunnen de zwenkwielen op hoge snelheid beginnen te trillen. Hierdoor kunnen de zwenkwielen geblokkeerd raken en kan de rolstoel omkantelen. Zorg er daarom goed voor dat de zwenkwielen goed zijn aangepast (zie het hoofdstuk "Zwenkwielen"). Rijd met name niet op een helling zonder remmen en rijd op lage snelheid. We raden aan dat nieuwe gebruikers anti-tip gebruiken.
- Met anti-tip kan de stoel niet onbedoeld achterover kantelen. Ze mogen in geen geval de transitwielen vervangen en gebruikt worden om een persoon in een rolstoel te vervoeren als de achterwielen zijn verwijderd.
- Wanneer u naar voorwerpen (die zich voor, aan de zijkant of achter de rolstoel bevinden) reikt, zorg er dan voor dat u niet te ver uit de rolstoel leunt, want als u het zwaartepunt verandert, bestaat het gevaar dat u omkantelt of omver rolt. Als u extra belasting (rugzak of gelijksoortige voorwerpen) aan de buizen van de rugleuning hangt, kan dit van invloed zijn op de stabiliteit aan de achterkant van uw stoel, vooral in combinatie met rugleuningen die achterover kunnen leunen. Hierdoor kan de stoel naar achteren kantelen en letsel veroorzaken.
- Gebruikers met een amputatie vanaf de dij, moeten anti-tip wielen gebruiken.
- Controleer voor vertrek of de bandenspanning correct is. Voor de achterwielen moet de druk ten minste 3,5 bar (350 kPa). De maximale druk staat aangegeven op de band. De knie-remhendels functioneren alleen bij voldoende bandenspanning en wanneer ze correct zijn ingesteld (zie ook het hoofdstuk "Remmen").
- Indien de zitting of rugbekleding van de rugleuning beschadigd zijn, dient u deze direct te vervangen.
- Wees voorzichtig met vuur, en vooral met brandende sigaretten. De banden van de rugleuning en zitting kunnen vlam vatten.
- Wanneer de rolstoel langdurig blootgesteld wordt aan direct zonlicht, kunnen sommige onderdelen (bijv. frame, beensteunen, remmen, zijbescherming) heet worden (>41°C).
- Controleer altijd of de quick release assen op de achterwielen goed zijn ingesteld en vergrendeld. Wanneer de knop op de quick release as niet ingedrukt is, kan het achterwiel niet worden verwijderd.

WAARSCHUWING!

- Het effect van de knielevelrem evenals de algemene rijeigenschappen hangen af van de bandendruk. De rolstoel is aanzienlijk lichter en gemakkelijker te manoeuvreren wanneer de achterwielen op de juiste spanning zijn en beide dezelfde spanning hebben.
- De banden van de rolstoel moeten voldoende profiel hebben! Let op dat u zich aan alle verkeerswetten moet houden wanneer u zich op de openbare weg begeeft.
- Pas altijd goed op uw vingers wanneer u instellingen of onderdelen van de rolstoel wijzigt of aanpast.

Het kan zijn dat de getoonde en beschreven product in deze handleiding niet op elk detail precies hetzelfde als uw eigen model is. Alle instructies zijn echter belangrijk, ongeacht de verschillen in detail.

De fabrikant houdt zich het recht voor zonder opgaaf gegevens met betrekking tot gewicht, maten of andere technische gegevens zoals genoemd in deze handleiding, te wijzigen. Alle afbeeldingen, maten en mogelijkheden zoals getoond in deze handleiding zijn slechts indicatief en bevatten geen specificaties.

2.0 Garantie

Garantie DIT HEEFT OP GEEN ENKELE WIJZE INVLOED OP UW WETTELIJKE RECHTEN.

Garantievoorwaarden

1) Reparaties en vervanging mogen uitsluitend worden uitgevoerd door een erkende Sunrise Medical dealer/ onderhoudsmonteur.

2) Om van de garantie gebruik te maken in het geval dat uw product op grond van deze overeenkomst gerepareerd moet worden, dient u onmiddellijk contact met de aangewezen Sunrise Medical dealer op te nemen, met volledige informatie over de aard van het probleem. Indien u de product niet in de omgeving van een aangewezen Sunrise Medical dealer gebruikt, worden reparaties op grond van de "Garantievoorschriften" door een andere dealer uitgevoerd die door de fabrikant wordt aangewezen.

3) Indien een onderdeel van de rolstoel gerepareerd of vervangen moet worden, als gevolg van een specifiek gebrek van fabricage of materiaal, binnen 24 maanden, (5 jaar voor het frame en het kruisframe) vanaf de datum waarop het eigendom van het product werd overgedragen naar de oorspronkelijke koper, en op voorwaarde dat deze koper nog steeds de eigenaar is, wordt het onderdeel of worden de onderdelen zonder kosten vervangen of gerepareerd, op voorwaarde dat de rolstoel wordt teruggebracht naar de erkende dealer.

OPMERKING: Deze garantie is niet overdraagbaar.

4) Eventuele gerepareerde of vervangen onderdelen vallen onder deze regeling voor het resterende van de garantieperiode die op de rolstoel van toepassing is.

5) Voor onderdelen die na het verlopen van de oorspronkelijke garantie vervangen zijn, geldt een garantie van 12 maanden.

6) Verslijtbare onderdelen vallen over het algemeen niet onder de normale garantie, tenzij deze duidelijk overmatige slijtage hebben ondergaan als een rechtstreeks gevolg van een oorspronkelijke fabricagefout. Deze onderdelen zijn o.a. bekleding, banden, binnenbanden en vergelijkbare onderdelen.

7) Bovenstaande garantievoorwaarden gelden voor alle productonderdelen, voor modellen die voor de volle handelsprijs gekocht zijn.

8) Onder normale omstandigheden wordt geen verantwoordelijkheid geaccepteerd voor reparatie of vervanging van de product als een rechtstreeks gevolg van:

- Het niet onderhouden of service verlenen in overeenstemming met de aanbevelingen van de fabrikant, zoals vermeld in de handleiding voor eigenaren (gebruikershandleiding) en / servicehandleiding; Het niet gebruiken van de gespecificeerde originele onderdelen;
- Wanneer het product of onderdeel is beschadigd door verwaarlozing, een ongeluk of oneigenlijk gebruik;
- Verandering van de product of het onderdeel in afwijking van de specificaties van de fabrikant, of reparaties die getracht zijn voordat de dealer op de hoogte werd gesteld.
- Indien het product leidt aan corrosie door onjuist onderhoud.

3.0 Transport

⚠ GEVAAR!

Indien dit advies wordt genegeerd ontstaat het risico op ernstig letsel of overlijden.

Het vervoer van uw rolstoel in een voertuig:

Een in een voertuig vastgezette rolstoel biedt niet dezelfde veiligheid als een normale stoel en veiligheidssysteem in dat voertuig. Sunrise adviseert altijd om de rolstoelgebruiker over te brengen naar een stoel van het voertuig. Sunrise Medical erkent dat het niet altijd praktisch is om een rolstoelgebruiker over te brengen naar een gewone stoel in het voertuig. Wanneer de gebruiker vervoerd moet worden in de rolstoel, moet onderstaand advies worden opgevolgd:

1. Controleer of het voertuig over de juiste hulpmiddelen beschikt om een passagier in een rolstoel te vervoeren. Controleer tevens of de methode om in en uit het voertuig te komen, geschikt zijn voor uw type rolstoel. De vloer van het voertuig moet sterk genoeg zijn om het totale gewicht van de rolstoelgebruiker, de rolstoel en de accessoires te dragen.
2. Rondom de rolstoel dient voldoende ruimte te zijn om de spanbanden en veiligheidsgordels te bevestigen en de rolstoel goed en gemakkelijk vast te zetten en los te maken.
3. De stoel met daarin de gebruiker moet in de rijrichting worden geplaatst. De rolstoel dient te worden vastgezet met spanbanden en voor de gebruiker dienen veiligheidsgordels gebruikt te worden, waarbij wordt voldaan aan de normen ISO 10542 of SAE J2249 en aan de WTORS instructies van de fabrikant.
4. De rolstoel is niet getest in andere posities binnen een voertuig. De rolstoel met daarin de gebruiker mag nooit in zijwaartse richting worden vervoerd (Fig. A).
5. De rolstoel moet worden vastgezet met een bevestigingssysteem dat voldoet aan ISO 10542 of SAE J2249, met niet-verstelbare banden aan de voorzijde en verstelbare banden aan de achterzijde, die worden bevestigd door middel van karabijnhaken/S-haken en gesp en gordel bevestigingen. De bevestigingen bestaan doorgaans uit vier aparte banden die vastgemaakt worden aan iedere hoek van de rolstoel.
6. De verankeringsbanden moeten aan het frame van de rolstoel worden bevestigd zoals aangegeven in de tekening op de volgende pagina. Ze mogen niet worden bevestigd aan accessoires, wielen, remmen, voetsteunen en dergelijke.

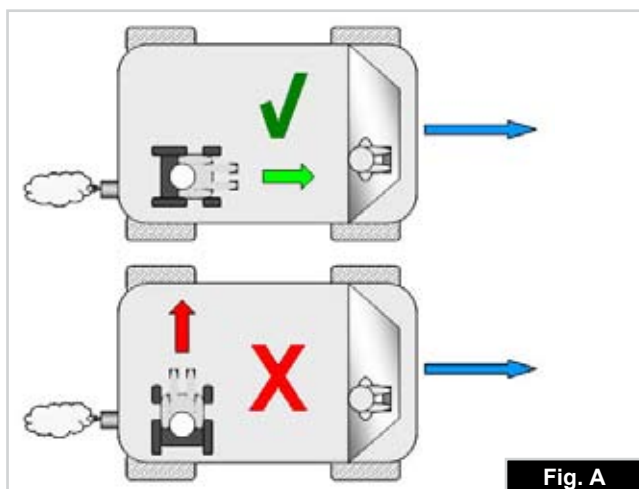


Fig. A

7. De verankeringsbanden dienen in een hoek van 45 graden zo dicht mogelijk bij de stoel bevestigd te worden; de banden moeten strak vastgezet worden in overeenstemming met de instructies van de fabrikant.
8. De verankeringspunten, frame en structurele onderdelen van de rolstoel mogen niet zonder overleg met de fabrikant worden gewijzigd of vervangen. Dergelijke wijzigingen kunnen de rolstoel van Sunrise Medical ongeschikt maken voor transport in een voertuig.
9. Zowel de heupgordel als de veiligheidsgordel voor het bovenlichaam moet worden gebruikt om de rolstoelgebruiker goed in de rolstoel te laten zitten. Hierdoor wordt het risico verkleind dat hoofd en borst in botsing komen met onderdelen van het voertuig. Tevens wordt risico verkleind dat de rolstoelgebruiker of de andere inzittenden van het voertuig geblesseerd raken. (Fig. B) De bovenlichaamgordel dient bevestigd te worden aan de "B" stang van het voertuig. Indien dit wordt nagelaten, wordt het risico van ernstig (onder) buikletsel van de gebruiker vergroot.
10. Tijdens het transport dient men gebruik te maken van een hoofdsteen die geschikt is voor transport (zie etiket van de hoofdsteen). Deze moet gedurende het hele transport op de juiste wijze zijn aangebracht.
11. Lichaamsondersteunende gordels (zoals heupgordels) mogen niet worden gebruikt als veiligheidsgordel voor een rolstoelgebruiker, tenzij deze voldoen aan de normen zoals gespecificeerd in ISO 7176-19:2001 of SAE J2249.
12. De veiligheid van de rolstoelgebruiker tijdens het transport hangt af van de nauwkeurigheid waarmee de verankeringsbanden worden bevestigd. De persoon/personen die de verankerung tot stand brengt/brengen, moet(en) op juiste wijze zijn geïnstrueerd en getraind.
13. Verwijder waar mogelijk hulpmiddelen en accessoires en berg deze veilig op. Hierbij kunt u denken aan: Krukken, losse kussens en werkbladen.
14. Een scharnierende/opgetilde beensteun mag zich niet in opgetilde positie bevinden tijdens transport van de rolstoel en gebruiker wanneer de rolstoel is verankerd met verankeringsbanden en veiligheidsgordels.
15. Een gekantelde rugleuning moet in rechte positie worden gezet.
16. De handremmen moeten goed worden vastgezet.
17. Veiligheidsgordels moeten worden bevestigd aan de "B" stang van het voertuig en mogen niet van het lichaam afgehouden worden door bijvoorbeeld armsteunen of wielen.

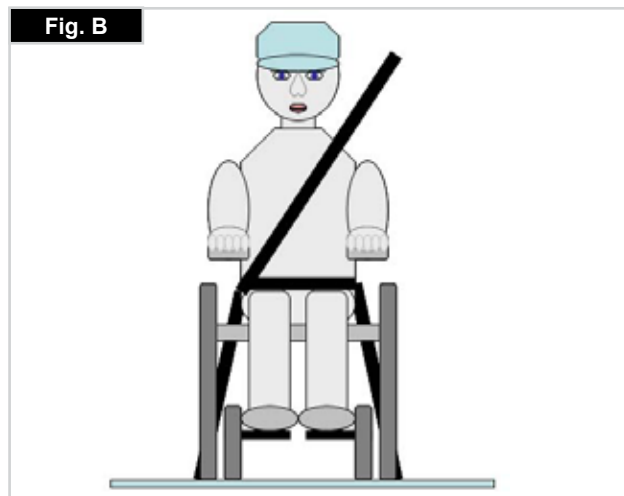


Fig. B

Transport

Instructies voor veiligheidsgordels:

1. De heupgordel moet laag worden bevestigd over de voorzijde van de heup, zodanig dat de hoek van de heupgordel zich binnen de horizontale voorkeurszone van 30 tot 75 graden bevindt.

Hoe groter de hoek binnen deze begrenzing, hoe beter, maar de hoek mag nooit groter zijn dan 75 graden. (Fig. C)

2. De bovenlichaamsgordel moet over de schouder en diagonaal over de borst worden gedragen, zoals op de afbeelding weergegeven. Fig. D en E

De gordels moeten zo strak mogelijk worden gebruikt, maar moeten altijd comfortabel zijn voor de gebruiker.

Veiligheidsnetten mogen niet gedraaid zitten tijdens gebruik.

De gordel voor het bovenlichaam moet dwars over de schouder worden bevestigd, zoals getoond in Fig. D en E.

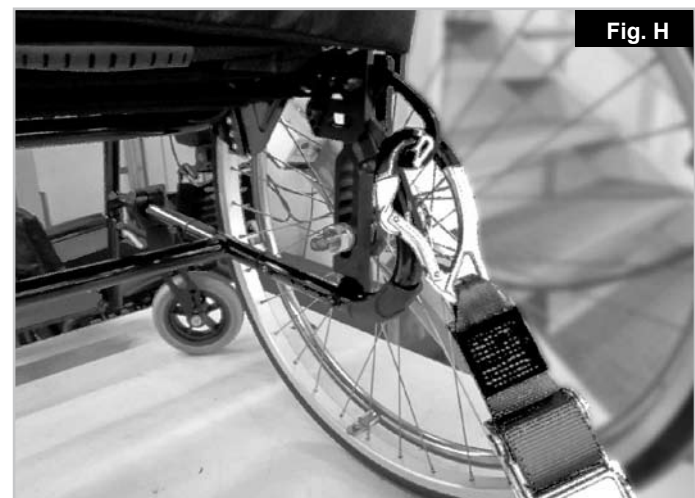
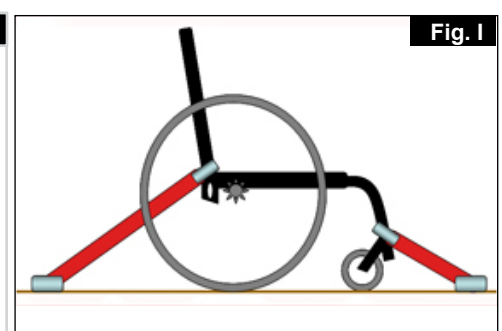
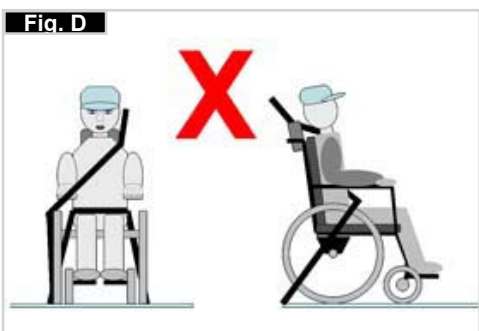
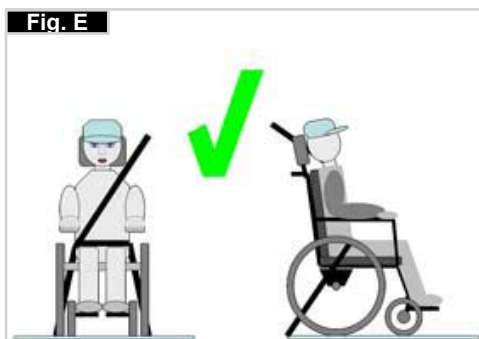
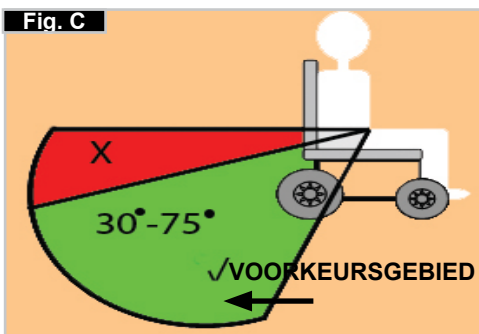
3. De bevestigingspunten van de stoel bevinden zich aan de binnenzijde aan de voorkant van het frame vlak boven het zwenkwiel en aan het frame aan de achterzijde. De banden worden rond het frame aan de zijkanten geplaatst waar de horizontale en verticale buizen van het frame elkaar kruisen. (Zie Fig. G-H-I)

4. Op het frame van de rolstoel wordt door middel van het symbool voor het verankeringspunt (Fig. F) aangegeven waar de verankeringsbanden geplaatst moeten worden. De banden worden strak getrokken nadat de banden aan de voorzijde zijn aangebracht om de rolstoel te borgen.

De plaatsing van verankeringsbanden op de rolstoel

1. De plaats van de afbeeldingen die aangeven waar aan de voor- en achterzijde de spanbanden geplaatst moeten worden (Fig. G - H).

2. Zijaanzicht van de verankeringsbanden, (Fig. K).

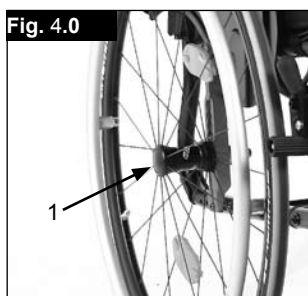


4.0 Gebruik

Quick release assen op de achterwielen

De achterwielen zijn uitgerust met quick release assen.

Zo kunt u de wielen zonder gereedschap monteren of verwijderen.
Om een wiel te verwijderen, drukt u gewoon de quick release knop op de as in (1) en trekt u het wiel weg (Fig. 3.0).



⚠️ OPGELET!

Houd de quick release as ingedrukt terwijl u de as in het frame steekt om de achterwielen te monteren. Laat de knop los om het wiel op zijn plaats te vergrendelen. De quick release knop zou weer op zijn oorspronkelijke plaats moeten klikken.

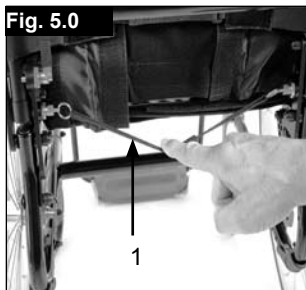
5.0 De rolstoel vervoeren

De rolstoel vervoeren

Door het verwijderen van de achterwielen blijft de rolstoel zo compact mogelijk. De rugleuning kan worden opgevouwen door aan het koord (1) op de rugleuning, te trekken (Fig. 5.0 + 5.1). Om de rugleuning weer in de rechtopstaande positie te brengen, trekt u de rugleuning helemaal omhoog, totdat u een klik hoort en de rugleuning aan beide zijden vergrendeld is.

⚠️ WAARSCHUWING!

Controleer voor gebruik van de rolstoel of de rugleuning goed op haar plaats vergrendeld is.



6.0 Opties

Trapdop

De trapdop kan door begeleiders worden gebruikt om de rolstoel over een obstakel te duwen. Trap gewoon op de buis om een rolstoel bijvoorbeeld over een stoep of een trede te duwen, (Fig. 5.0).

⚠️ OPGELET!

Voor modellen waarbij de rolstoel voornamelijk zal worden voortgeduwd door een begeleider, adviseert Sunrise Medical het gebruik van een trapdop. Er kan schade ontstaan aan het rugframe wanneer u deze voortdurend gebruikt als hendel om de rolstoel naar achteren te trekken of zonder trapdop te kantelen.

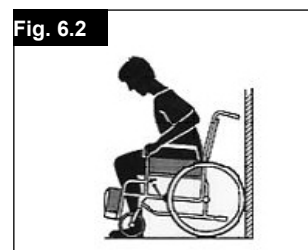
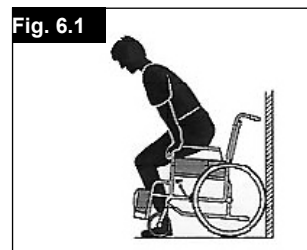


Zelf in uw rolstoel stappen

- Duw de rolstoel tegen een muur of een stevig meubelstuk;
- Zet de rem erop;
- De gebruiker kan zich in de rolstoel laten zakken;
- Plaats de voeten vervolgens voor de hielbanden (Fig. 6.1).

Zelf uit uw rolstoel stappen

- Zet de rem erop;
- De persoon dient met een hand op het wiel of de zijbescherming enigszins naar voren te leunen om het lichaamsgewicht naar de voorrand van de stoel over te brengen, en zich dan rechtop te duwen met beide voeten stevig op de vloer en een voet achter de andere (Fig. 6.2).



Remmen

⚠️ OPGELET!

De remkracht kan worden beïnvloed door onjuiste montage en aanpassing van de remmen. Ook een te lage bandenspanning kan de remkracht beïnvloeden.

Wielvergrendelingen

Uw rolstoel heeft twee wielvergrendelingen. Ze komen rechtstreeks op de banden terecht. Om de vergrendelingen te gebruiken, drukt u beide vergrendelingshendels naar voren tot tegen de aanslagen. Om de vergrendeling ongedaan te maken, trekt u de hendels weer naar hun oorspronkelijke positie.



Het remvermogen vermindert wanneer:

- het loopvlak van de band versleten is;
- de bandendruk niet voldoende is;
- de banden nat zijn;
- de wielvergrendelingen niet goed afgesteld zijn.

De parkeerremmen zijn niet bedoeld om als rem voor een bewegende rolstoel te dienen. U mag de wielvergrendelingen dan ook niet gebruiken om een bewegende rolstoel te doen remmen. Rem altijd met behulp van de hoepels. Zorg ervoor dat de afstand tussen de banden en de wielvergrendelingen voldoet aan de vermelde specificaties. Om die afstand aan te passen, draait u schroef los en stelt u de juiste afstand in. Draai vervolgens de schroeven weer aan (Fig. 6.3 en 6.4).



⚠️ OPGELET!

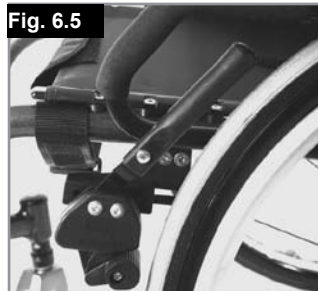
Telkens wanneer u de achterwielen hebt bijgesteld, moet u nagaan of de afstand tot de wielvergrendelingen in orde is. Pas die indien nodig aan.

Verlenging van de remhendel

Het gebruik van de langere hendel kost u minder moeite om de wielvergrendeling in werking te zetten.

De langere remhendel is door schroeven verbonden aan de remmen. Door deze op te lichten, kan hij naar voren worden gekanteld.

(Fig. 6.5).



⚠️ OPGELET!

Wanneer u de wielvergrendeling te dicht bij het wiel monteert, zal deze moeilijker te hanteren zijn. Hierdoor kan de verlengde hendel breken!

De hendel kan ook breken wanneer u op de verlenging gaat leunen tijdens transfers! Opspattend water en vuil van de banden kan slecht functioneren van de wielvergrendelingen veroorzaken.

⚠️ OPGELET!

Door verkeerde montage van de wielvergrendeling kan het meer moeite kosten om deze gebruiken. Hierdoor kan de verlengde hendel breken!



Compacte remmen

Compacte remmen bevinden zich onder de zitting en worden bediend door de remmen naar achteren te trekken, in de richting van de band. Om de remmen goed te laten functioneren, moet aan de rem worden getrokken tot de aanslagen worden bereikt, (Fig. 6.6).

Trommelremmen

Trommelremmen helpen een begeleider om veilig en goed te remmen. U kunt die ook gebruiken met behulp van een vergrendelingshendel (1) om te voorkomen dat u weggrolt. U moet de hendel in zijn plaats horen klikken. Trommelremmen zijn niet afhankelijk van de luchtdruk binnen in de banden. U kunt uw rolstoel niet verplaatsen wanneer de trommelremmen ingeschakeld zijn (Fig. 6.6.1).



Voetplaten

Voetplaten - Aluminium

Er zijn diverse voetsteunen verkrijgbaar. Deze kunnen omhoog worden geklapt waardoor het gemakkelijker is om in of uit de rolstoel te komen.



Lengte van het onderbeen (Fig. 6.7)

Door de bout los te draaien (1), kunt u de lengte van de steun voor het onderbeen aanpassen. Draai de bout los en verstel de buis met de voetenplaat naar de gewenste positie. Draai de schroeven weer vast. (zie de pagina over torque). Controleer goed of de plastic verbinding in de juiste positie onder de schroef is geplaatst. Controleer goed of de plastic verbinding in de juiste positie onder de schroef is geplaatst.

Voetplaten - Aluminium

Er zijn diverse voetsteunen verkrijgbaar. Deze kunnen omhoog worden geklapt waardoor het gemakkelijker is om in of uit de rolstoel te komen.

Hoekinstelbare voetenplank

De voetplaat kan worden opgeklapt om gemakkelijker in en uit uw rolstoel te komen, (Fig. 6.8 - 6.10).

Deze kan worden aangepast om de hoek met de grond te wijzigen.

Draai de schroef (1) aan de buitenzijde aan. Door de klemmen (2) te verwijderen, kan de voetplaat in drie verschillende posities worden versteld, zowel naar voren als naar achteren. Door de instellingsschroef (3) te verstellen, kan de voetplaat naar een horizontale positie worden versteld. Hiervoor moet de voetplaat omhoog worden geklapt. Controleer na aanpassingen altijd of alle schroeven correct zijn aangedraaid (zie ook de pagina betreffende draaikracht/torque). Zorg ervoor dat u de minimale ruimte ten opzichte van de grond houdt (2,5 cm).

Voetsteun - Plastic

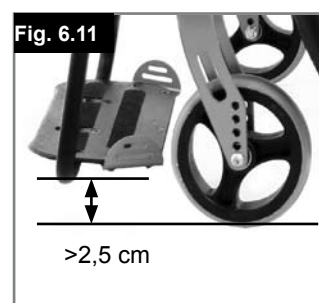
Voetenplaten:

De voetplaten kunnen worden opgeklapt om makkelijker in en uit uw rolstoel te komen.

Lengte van het onderbeen:

Voor gebruikers met langere benen, kan de voetsteun tot het juiste niveau worden verlaagd met gebruik van de schroeven. Draai de schroeven los, druk de buizen naar de gewenste positie en draai de schroeven daarna opnieuw aan (zie onderdeel over draaimoment).

Er moet altijd 2,5 centimeter ruimte tussen de voetenplaten en de grond zijn. (Fig. 6.11)



Voetplaten

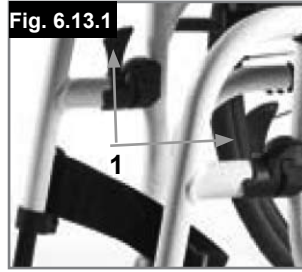
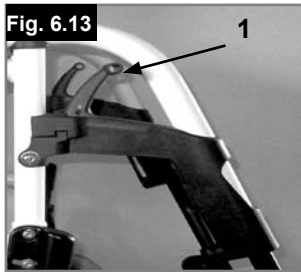
Hoekinstelbare voetenplank

Deze kan worden aangepast om de hoek met de grond te wijzigen. Draai de schroef los, trek hem naar binnen, stel hem op de gewenste hoek in en druk hem er dan op. Draai na het uitvoeren van de aanpassing, de schroef opnieuw aan. Controleer na aanpassingen altijd of alle schroeven correct zijn aangedraaid (zie ook de pagina betreffende draaikracht/torque). Zorg ervoor dat u de minimale ruimte ten opzichte van de grond houdt (2,5 cm) (Fig. 6.12).



Hanger en vergrendeling

De voetsteunen kunnen naar binnen onder de zitting worden geklapt of naar buiten. Bij het aanbrengen van de voetsteunen, moeten de voetsteunen naar binnen of buiten zijn gericht. Draai de voetsteun naar binnen tot hij op zijn plaats vastklikt. Om de voetsteun te verwijderen, trekt u aan de hendel (1), zwaait u de voetsteun naar binnen of buiten, en tilt u de voetsteun op en eruit. Zorg ervoor dat de voetsteun goed op zijn plaats vastklikt (Fig. 6.13 - 6.13.1).



⚠ WAARSCHUWING!

- De voetsteunen mogen niet worden gebruikt om de rolstoel op te tillen of te dragen.
- Gebruik de voetplaten niet als u in of uit de rolstoel stapt. Deze moeten van tevoren omhoog worden geklapt en zo ver mogelijk naar buiten worden gedraaid.

Optie lengte compenserende beensteun

(Fig. 6.14 - 6.16)

Om de voetplaat te verwijderen, trekt u aan de hendel (1), zwaait u de voetplaat naar buiten en tilt u de beensteun op om deze te verwijderen.

Aanpassing hoogte:

De onderbeenlengte is zeer flexibel en kan worden aangepast door de schroef (2) los te maken. Stel de geschikte hoogte in en draai de schroef weer aan.

⚠ OPGELET!

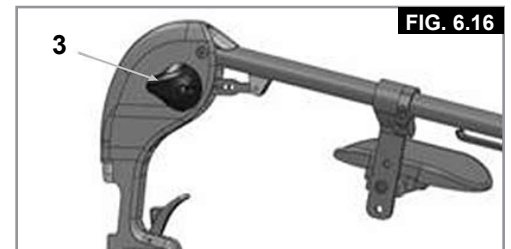
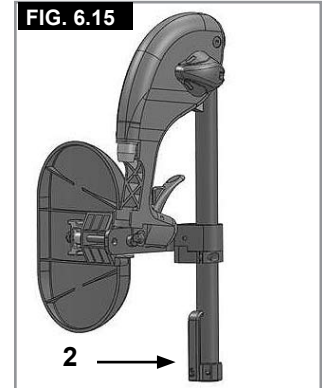
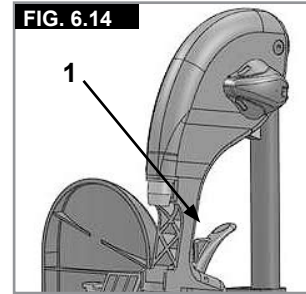
De afstand tussen de voetplaat en de grond moet minstens 40 mm zijn.

Aanpassing hoek:

Duw met één hand de hendel (3) naar beneden, terwijl u met de andere hand de beensteun ondersteunt om het gewicht weg te nemen. Wanneer een geschikte hoek is bereikt, laat u de hendel los; de beensteun zal in één van de vooraf ingestelde posities vergrendelen.

⚠ WAARSCHUWING!

- Houd de handen weg van het aanpassingsmechanisme tussen het frame en de beweegbare onderdelen van de voetsteun terwijl u de voetsteun verhoogt of verlaagt.
- De voetsteunen mogen niet worden gebruikt om de rolstoel op te tillen of te dragen.
- Vingers kunnen bekneld raken!
- Als de voetsteunen omhoog of omlaag worden bewogen, mag u uw vingers niet in het aanpassingsmechanisme tussen de bewegende onderdelen van de voetsteun plaatsen.



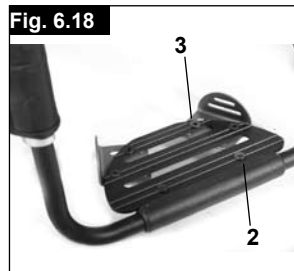
De hoogte van de voetenplaat instellen

Aanpassen van de voetsteun

⚠ WAARSCHUWING!

- **Begeleider:** ga niet op de voetenplaat staan! Zelfs als de gebruiker in de stoel zit, bestaat het gevaar dat de stoel kantelt, wat tot letsel kan leiden.
- **Gebruiker:** ga niet op de voetenplaat staan bij het in- of uitstappen. Hierdoor kan de rolstoel kantelen, wat tot letsel kan leiden.

Door de schroef los te maken (1) kunt u de voetsteun aanpassen aan de lengte van uw onderbeen en de voetsteun weer opnieuw bevestigen. De hoek van de voetsteun kan afzonderlijk worden ingesteld door het losdraaien van de schroeven (2). De beugel aan de zijkant van de voetenplaat (3) voorkomt dat uw voeten per ongeluk van de plaat glijden. Controleer na aanpassingen altijd of alle schroeven correct zijn aangedraaid (zie ook de pagina betreffende draaikracht/torque) (Fig. 6.17 - 6.18).



Lichtgewicht voetsteun

De hoek van de voetsteun kan worden aangepast door de schroeven (2) los te draaien. De beschermingspanelen voor de zijkant kunnen via de gaatjes (3) aan de voetsteun worden bevestigd. Hierdoor wordt voorkomen dat de voeten per ongeluk van de voetsteunen glijden, (Fig. 6.18.1). Controleer na aanpassingen altijd of alle schroeven correct zijn aangedraaid (zie ook de pagina betreffende draaikracht/torque).

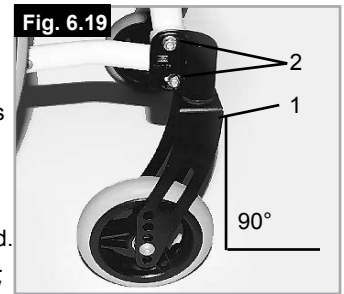


Zwenkwiel

Zwenkwiel, aanpassing zwenkwiel, zwenkwielvork (Fig. 6.19)

Het kan gebeuren dat de rolstoel iets afwijkt naar links of naar rechts of dat de voorwielen wiebelen. Dat kan door de volgende zaken komen:

- De voorwaartse of achterwaartse wielbeweging is niet goed ingesteld.
- De camber is niet goed afgesteld.
- De luchtdruk van het voorwiel en/of van het achterwiel is niet goed; de wielen draaien niet soepel genoeg.



Om de rolstoel in een rechte lijn te laten rijden, moeten de zwenkwielen optimaal worden aangepast. U moet de voorwielen laten afstellen door een erkend dealer.

Telkens wanneer u de positie van het achterwiel hebt laten veranderen, moet u het balhoofd opnieuw aanpassen en de wielvergrendelingen controleren. Controleer de instelling van het verbindingstuk van het zwenkwiel (1) door er een tekendriehoek naast te zetten en het van de voorzijde te bekijken. Zorg ervoor dat het verbindingstuk in een rechte hoek is ten opzichte van de vloer. Door de schroeven (2) los te draaien en het verbindingstuk te stellen, kunt u de wielen weer instellen naar hun optimale positie, door de corresponderende tandwielen te stellen. Controleer na aanpassingen altijd of alle schroeven correct zijn aangedraaid (zie ook de pagina betreffende draaikracht/torque).

Hoekverstelbare rugleuning

Rugleuning met verstelbare hoek (Fig. 6.20)

Om de rugleuning aan te passen:

- Verwijder bouten "A", aan beide zijdes.
- Draai de beugels in de gewenste positie
- Plaats de bouten "A" weer terug en draai ze aan.

⚠ OPGELET!

Alle schroeven moeten opnieuw worden geplaatst en op de juiste wijze aangedraaid, om te voorkomen dat de instelling van de hoek door onverwachte bewegingen verloren gaat.

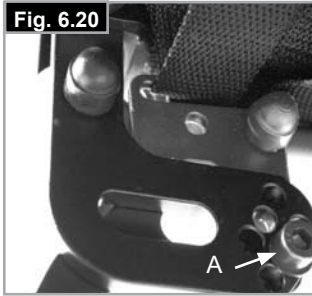


Fig. 6.20

Opvouwbare rugleuning

Ontgrendel de rugleuning door aan het koord te trekken en de rugleuning gelijktijdig naar voren te duwen om hem op te vouwen. Om de rugleuning in de oorspronkelijke positie terug te brengen, trekt u leuning zo ver mogelijk naar achteren, totdat deze aan beide zijden vergrendeld wordt (Fig. 6.21 - 6.22).



Fig. 6.21



Fig. 6.22

Instelbare spanning rugleuning

(Fig. 6.23)

De verstelbare rugleuning kan qua spanning worden aangepast door het Velcro® klittenband los te maken en deze door de gespen (1) te halen. Wanneer de gewenste spanning is bereikt, drukt u het klittenband weer op elkaar.

Herhaal dit proces voor iedere band.

De bekleding van de rugleuning kan via een opening aan de binnenzijde worden bereikt en aangepast aan individuele voorkeur.

⚠ WAARSCHUWING!

Controleer voor gebruik van de rolstoel of al het klittenband goed is bevestigd.



Fig. 6.23

Zijkanten

In hoogte verstelbare arMLEuning

Bevestiging: laat de stang van de arMLEuning in de houder op het rolstoelframe glijden tot hij niet verder kan.

Aanpassing hoogte:

Trek de stang van de armsteun uit de houder.

Stel de positie van de beugel (1) door de schroef (2) te verwijderen, waarna u de beugel in de gewenste positie kunt zetten. Plaats de schroef terug en draai deze weer aan.

Laat de stang van de armsteun weer in de houder glijden, (Fig. 6.24).

Positie kussen arMLEuning:

De arMLEuning (het kussen) kan worden aangepast door de schroeven (3) los te maken, en de arMLEuning in de gewenste positie te plaatsen. Draai daarna de schroeven weer aan (Fig. 6.24).

Aanpassing armsteunhouder:

Door middel van de twee schroeven (1) kan de armsteunhouder strakker of losser worden vastgezet (Fig. 6.25).

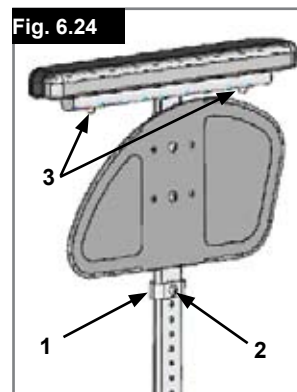


Fig. 6.24

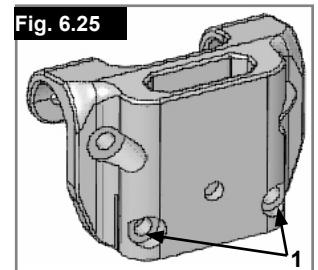


Fig. 6.25

Zijbeschermingen

In hoogte verstelbare armleuningen, met een stang bevestigd

LET OP!

Noch de armleuningen, noch de opvulkussens mogen worden gebruikt om de rolstoel te tillen of te dragen.

1. Bevestiging

- a. Duw de buitenste geleiders van de armsteun in de houder die bevestigd is op het rolstoelframe.
- b. De armleuning klemt automatisch vast.

2. Aanpassing hoogte

- a. Draai de ontgrendelingshendel voor hoogteaanpassing (2) naar het tweede stoppunt.
- b. Duw de armsteun omhoog of omlaag om de gewenste hoogte te bereiken.
- c. Duw de hendel terug tegen de geleiders van de armsteun totdat de hendel weer vergrendelt.
- d. Duw de armsteun (4) totdat de geleiders goed op hun plaats klikken.

3. Verwijder de armsteun

- a. Gebruik hendel (3) en til de hele armsteun op.

4. Doe de armsteun erin

- a. Doe de armsteun terug in de houder, totdat de steun op zijn plaats klikt.

Bevestigingsonderdelen voor de houder van de armsteun.

Aanpassen van de houder van de armsteun.

Om de bevestiging van de buitenste geleiders van de armsteun strakker of losser in de houder te draaien:

1. draait u de vier schroeven voor de houder (D) aan beide zijden van de houder los.
2. Laat de armsteun in de houder (E) zitten en duw de houder samen, totdat de gewenste instelling is bereikt.
3. Draai de vier schroeven vast (D) (144 in-lbs, 16,3 Nm)

Instelling positie

1. Draai de schroeven (10) los totdat de klem los is.
2. Duw de houder van de armsteun in de gewenste positie.
3. Vastdraaien.

(Fig. 6.26 - 6.29).

1. Buitenste geleiders van de armsteun
2. Instelling van de hoogte van de vergrendelingshendel
3. Vergrendelingshendel
4. Armsteunkussen
5. Overstapstang
6. Zijbescherming
7. Houder
8. Stelklem
9. Onderdelen om de houder aan te passen
10. Klemschroeven

Fig. 6.26

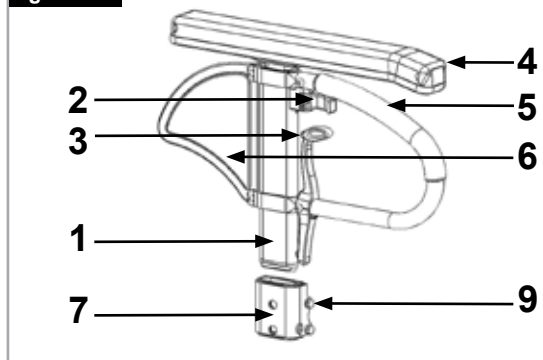


Fig. 6.27

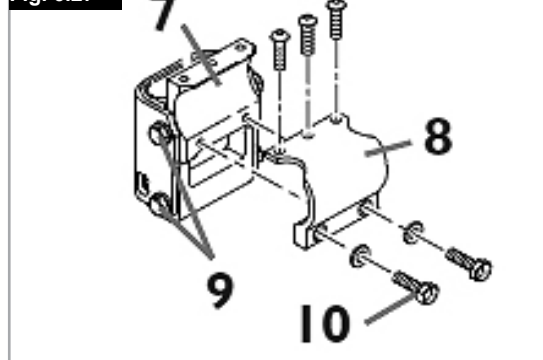


Fig. 6.28

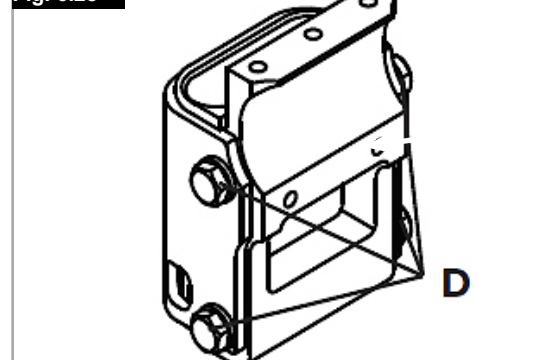
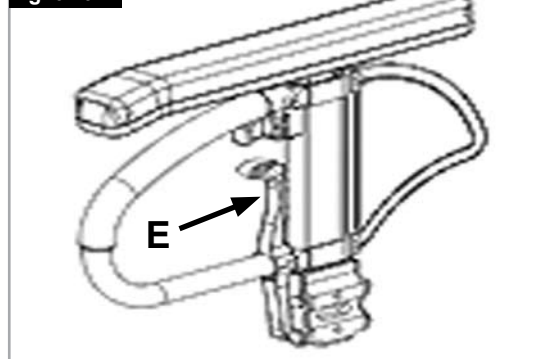


Fig. 6.29



Zijkant met kledingbescherming (Fig. 6.30)

Met de kledingbescherming wordt kleding niet vuil door opspattend water. U kunt de positie ten opzichte van het achterwiel instellen door de zijkanen te bewegen. Verwijder hiervoor de schroeven (1 en 2). Nadat u de zijkanen in de gewenste positie heeft geplaatst, draait u de schroeven opnieuw aan (zie de pagina betreffende draaimoment).

⚠️ OPGELET!

Noch de armleuningen, noch de opvulkussens mogen worden gebruikt om de rolstoel te tillen of te dragen

Duwhandvatten

In de hoogte verstelbare duwhandvatten (Fig. 6.31)

Die duwhandvatten zijn in hun positie beveiligd door pinnen die voorkomen dat ze per ongeluk wegschuiven. Het openen van de quick release hendel maakt het mogelijk de hoogte van de duwhendels aan te passen aan uw individuele wensen. Wanneer u de hendel beweegt, zult u een vergrendelingsmechanisme horen; u kunt het duwhandvat nu makkelijk in de gewenste positie brengen. De moeder bepaalt hoe stevig de duwhandvatten op hun plaats gehouden worden. Als de moeder losgedraaid is, zal ook het duwhandvat te los zitten. Draai het duwhandvat naar beide kanten om u ervan te vergewissen dat hij stevig op zijn plaats zit. Nadat u de hoogte van het duwhandvat heeft ingesteld, moet u de fixatiehendel altijd stevig op zijn plaats vastmaken. Als de fixatiehendel niet vergrendeld is, kan dit letsel veroorzaken bij het opgaan van een trap.

Duwhandvat

Neerklapbare duwhandvatten (Fig. 6.32)

Wanneer u de duwhandvatten niet gebruikt, kunt u die neerklappen door op de knop (1) te drukken. Zodra u ze opnieuw nodig hebt, klapt u ze weer naar boven tot ze op hun plaats klikken.

Anti-tip wielen

Anti-tip wielen (Fig. 6.33)

Anti-tip wielen (1) bieden bijkomende veiligheid voor onervaren gebruikers wanneer deze nog leren hoe de rolstoel te gebruiken. Anti-tip wielen (1) voorkomen dat een rolstoel naar achteren kantelt. De anti-tip wielen (1) kunnen naar beneden worden geklapt door erop te duwen. Ook kunnen ze naar voren worden gedraaid. Er moet 3 tot 5 cm ruimte zijn tussen vloer en anti-tip wielen. Om een stap omhoog of omlaag te gaan (bijv. een stoeprand), moeten de anti-tip wielen naar voren worden gebracht, om te voorkomen dat ze de grond raken.

⚠️ WAARSCHUWING!

Wanneer de anti-tip wielen verkeerd zijn aangebracht, wordt het gevaar op achterwaarts kantelen groter.

Krukkenhouder

Krukkenhouder (Fig. 6.34)

Hiermee kunt u krukken meenemen op de rolstoel. De krukkenhouder heeft een velcrolus waarmee u de krukken of andere hulpmiddelen kunt vastmaken.

⚠️ OPGELET!

Probeer nooit de krukken of andere hulpmiddelen te gebruiken, of deze te verwijderen, terwijl de rolstoel in beweging is.

Fig. 6.30



Fig. 6.31



Fig. 6.32



Fig. 6.33



Fig. 6.34





Heupgordel

⚠ WAARSCHUWING!

- Controleer voor gebruik van de rolstoel of de heupgordel op de juiste wijze is aangebracht.
- De heupgordel moet dagelijks worden gecontroleerd op slijtage. Tevens moet worden gecontroleerd of de gordel nergens gehinderd wordt.
- Controleer voor gebruik altijd of de heupgordel op de juiste wijze is bevestigd en aangepast.
- Als de gordel te los zit, kan de rolstoelgebruiker naar beneden glijden en bestaat het gevaar op verstikking of ernstig letsel.

De heupgordel dient aan de rolstoel bevestigd te zijn zoals op de afbeeldingen wordt getoond. De positioneringsgordel bestaat uit twee helften. Ze worden bevestigd d.m.v. de aanwezige schroef, die door het ringetje van de gordel wordt gestoken. De gordel wordt onder de achterzijde van het zijpaneel geleid. Pas de gordel zodanig aan dat de sluiting zich in het midden van de stoel bevindt. (Fig. 6.35 - 6.36)

Pas de heupgordel als volgt aan de behoeften van de gebruiker aan.

Om de lengte van de gordel te verkleinen	Om de lengte van de gordel te vergroten
	
Haal vervolgens het niet-gebruikte deel van de gordel door de gesp en geleiders. Controleer of de gordel niet om de sluiting is gedraaid.	Om de gordel langer te maken, haalt u het niet-gebruikte deel van de gordel door de geleiders en gesp.

Controleer na het vastmaken de ruimte tussen de gordel en de gebruiker. Wanneer de gordel goed is aangepast, kunt u niet meer dan een vlakke hand tussen het lichaam en de gordel steken wanneer de gordel is omgedaan. (Fig. 6.37). De heupgordel moet zodanig bevestigd worden dat hij in een hoek van 45 graden over het bekken van de gebruiker valt. Bij het op maat maken dient de gebruiker rechtop en zo ver mogelijk naar achteren te zitten. De heupgordel moet voorkomen dat de gebruiker uit de rolstoel glijdt.

	
Om de sluiting te sluiten: Steek de tanden van de gesp in de sluiting.	Om de sluiting los te maken: Druk op de zichtbare delen van de tanden van de gesp en duw deze naar binnen, terwijl u tegelijkertijd de gesp rustig uit elkaar trekt.



⚠ WAARSCHUWING!

- Indien u vragen of twijfels heeft over het gebruik en de wijze van gebruik van de heupgordel, vraag dan advies aan uw medische begeleider, rolstoeldealer, verzorger of begeleider.
- De heupgordel mag uitsluitend worden gemonteerd door een door Sunrise Medical erkende dealer/verkoper. De heupgordel mag uitsluitend op maat worden gemaakt door een professionele zorgverlener of een door Sunrise Medical erkende dealer/verkoper.
- Controleer de gordel dagelijks op slijtage of de gordel goed op maat is en of hij nergens op vastloopt of geklemd wordt.
- Sunrise Medical raadt ten zeerste af om tijdens het transport van een persoon in een voertuig deze heupgordel als veiligheidsgordel te gebruiken. Zie ook de speciale brochure van Sunrise Medical over transport.

Onderhoud:

Controleer de gordel en de bevestigingsmaterialen geregeld op slijtage of beschadiging. Vervang de gordel indien noodzakelijk.

OPMERKING:

De heupgordel dient aangepast te worden aan de uiteindelijke gebruiker zoals hierboven omschreven. Sunrise Medical adviseert de lengte en bevestiging van de gordel regelmatig te controleren om te voorkomen dat de gordel onbedoeld te lang wordt.

Transitwielen

Transitwielen (Fig. 6.38)

U kunt transitwielen gebruiken wanneer uw rolstoel met zijn gewone achterwielen te breed is. Nadat u de achterwielen met behulp van de quick-release-assen hebt verwijderd, kunt u de transitwielen onmiddellijk gebruiken om te blijven rijden. De transitwielen zijn zodanig gemonteerd dat ze zich ongeveer 3 centimeter boven de grond bevinden wanneer u ze niet gebruikt. Ze zitten dus niet in de weg wanneer u rijdt, tijdens transport, of wanneer u de rolstoel kantelt om over hindernissen te rijden.

⚠️ OPGELET!

Uw rolstoel heeft geen wielvergrendelingen wanneer u de transitwielen gebruikt.

Fig. 6.38



7.0 Banden en montage

Standaard wordt de rolstoel met massieve rubberbanden geleverd.

Wanneer de rolstoel is voorzien van luchtbanden, controleer dan regelmatig of de banden op de juiste spanning zijn. Een onjuiste bandenspanning kan de prestaties van de rolstoel beïnvloeden. Als er niet genoeg druk op de banden staat, zal de rolweerstand toenemen waardoor u een grotere inspanning moet leveren om de rolstoel voort te bewegen; bovendien maakt een lage bandendruk de rolstoel minder wendbaar. Als de bandendruk te groot is, kan de band springen. De juiste druk voor een bepaalde band staat vermeld op het oppervlak van de band zelf.

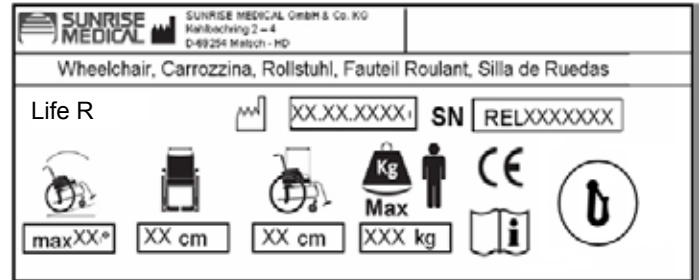
De banden zijn op dezelfde manier op de velg aan te brengen als gewone fietsbanden. Alvorens u een nieuwe binnenband oplegt, moet u altijd controleren of er zich geen vreemde voorwerpen bevinden op de basis van de velg en de binnenzijde van de band. Controleer de druk nadat u een band opgelegd of hersteld hebt. Het is voor uw veiligheid en voor de goede werking van uw rolstoel van erg groot belang dat de voorgeschreven luchtdruk altijd gehandhaafd blijft en dat de banden in goede conditie zijn.

8.0 Sticker

Sticker

De sticker bevindt zich of op het kruisframe, of op de dwarsstang van het frame. Ook vindt u een sticker met gegevens in de gebruikershandleiding. Op de sticker met het serienummer staat ook de precieze naam van het model en andere technische gegevens. Wanneer u vervangingsonderdelen bestelt of een schadeclaim indient, moet u de volgende gegevens vermelden:

VOORBEELD



Life R
XXXXX-XXX

Naam product, SKU nummer



De maximale veiligheidsmarge bij hellingen met anti-tip wielen hangt onder andere af van de instellingen, postuur en fysieke capaciteiten van de gebruiker.



Breedte zitsysteem



Diepte (max.)



Maximale belasting.



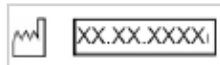
CE-keurmerk



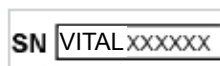
Gebruikershandleiding



Crashtest uitgevoerd



Productiedatum



Serienummer.

Ons beleid is erop gericht het ontwerp van onze rolstoelen voortdurend te verbeteren. Hierdoor kunnen productspecificaties enigszins afwijken van de getoonde voorbeelden. Alle gewichten, afmetingen en gegevens betreffende prestaties zijn bij benadering en dienen slechts als richtlijn.

Sunrise Medical voldoet aan de Europese Richtlijn betreffende Medische hulpmiddelen 93/42/EEC



Alle handbikes moeten worden gebruikt in overeenstemming met de gebruiksaanwijzing van de fabrikant.

Sunrise Medical B.V.
Groningehaven 18-20
3433 PE NIEUWEGEIN
The Netherlands
T: +31 (0)30 – 60 82 100
F: +31 (0)30 – 60 55 880
E: info@sunrisemedical.nl
www.SunriseMedical.nl

9.0 Algemeen onderhoud

Veiligheidscontrole:

Als gebruiker bent u de eerste die mogelijke defecten opmerkt. Daarom adviseren we voor ieder gebruik het volgende de controleren:

- of de bandenspanning correct is;
- of de remmen correct werken;
- of alle afneembare onderdelen goed zijn bevestigd (zoals armsteunen, hangers van de voetsteunen, quick release-assen, etc.);
- Als er beschadigingen/storingen zijn, neem dan contact op met uw erkende dealer.

Onderhoud:

Controleer geregeld de bandenspanning.

Controleer alle banden geregeld op slijtage. (Minstens één maal per jaar.) Verwissel de banden zodra er slijtage zichtbaar is.

Controleer de zit en rugbekleding geregeld op slijtage. (Minstens één maal per jaar.) Verwissel deze onderdelen zodra er slijtage zichtbaar is.

Controleer alle onderdelen van het frame en de rugleuning geregeld op slijtage. (Minstens één maal per jaar.) Verwissel deze onderdelen zodra er slijtage zichtbaar is.

Controleer de remmen geregeld op slijtage. (Minstens één maal per jaar.) Controleer of de remmen naar behoren functioneren en gemakkelijk gebruikt kunnen worden. Verwissel de remmen zodra er slijtage zichtbaar is.

Controleer geregeld, minstens één maal per jaar, alle schroeven en bouten (zie het hoofdstuk over draaikracht). Alle schroeven die een groot belang hebben in verband met de veiligheid van de rolstoel, hebben veiligheidsbouten. U mag borgmoeren maar één keer monteren en u moet ze vervangen na een bepaalde gebruikperiode.

OPMERKING: Als er instellingen voor de draaikracht worden opgegeven, adviseren we een meetapparaat te gebruiken om de controleren of u schroeven met de juiste draaikracht heeft vastgemaakt.

Gebruik alleen zachte (niet agressieve) schoonmaakproducten om uw rolstoel schoon te maken. Gebruik alleen water en zeep wanneer u de bekleding van de stoel en de heupgordel reinigt. Afhankelijk van de frequentie en de wijze waarop u uw rolstoel gebruikt, adviseren wij dat u uw rolstoel geregeld, maar minstens één maal per jaar, bij uw erkende dealer laat nakijken door opgeleid personeel.



OPGELET!

Zand en zeewater (of zout in de winter) kan de rollagers van de voor- en achterwielen beschadigen. Als uw rolstoel hieraan werd blootgesteld, maak hem dan zorgvuldig schoon en droog.

Hygiënemaatregelen als de stoel wordt gebruikt door nieuwe gebruiker:

Wanneer de rolstoel door een nieuwe gebruiker in gebruik wordt genomen, moet de rolstoel zorgvuldig schoongemaakt worden, waarbij met desinfecterende spray alle oppervlakten waar de nieuwe gebruiker mee in aanraking komt, worden gereinigd.

Als dit snel moet gebeuren, gebruik dan een vloeibaar desinfecterend middel op basis van alcohol, dat geschikt is voor medische producten en apparaten.

Let op de instructies van de fabrikant van het ontsmettingsmiddel dat u gebruikt.

10.0 Mogelijke problemen

Rolstoel trekt naar één kant

- Controleer bandendruk
- Controleer of het wiel vlot draait (lagers, as)
- Controleer hoeken van zwenkwielen
- Controleer of beide voorwielen de grond goed raken

Voorwielen beginnen te wiebelen

- Controleer hoeken van zwenkwielen
- Controleer of alle bouten vast zitten; draai ze indien nodig vast (zie hoofdstuk over de koppelsleutel)
- Controleer of beide voorwielen de grond goed raken

Rolstoel piept en rammelt.

- Controleer of alle bouten vast zitten; draai ze indien nodig vast (zie hoofdstuk over de koppelsleutel)
- Breng een beetje smeerolie aan op plaatsen waar beweegbare delen met elkaar in contact komen

Rolstoel begint te wiebelen

- Controleer hoek waarin voorwielen ingesteld zijn
- Controleer bandendruk
- Controleer of achterwielen verschillend ingesteld zijn

11.0 Afvalverwerking / recycling van materialen

OPMERKING: Wanneer u de rolstoel gratis heeft ontvangen, is deze mogelijk niet uw eigendom. Wanneer u de rolstoel niet langer nodig hebt, volg dan de instructies op van de organisatie van wie u de rolstoel hebt ontvangen. De organisatie wil de rolstoel vermoedelijk terug hebben.

De onderstaande informatie heeft betrekking op de in de rolstoel en verpakking gebruikte materialen, voor wat betreft de afvalverwerking of recycling van de rolstoel en het verpakkingsmateriaal.

Er kan specifieke wetgeving bestaan in uw land of woonplaats; neem deze wet- of regelgeving in overweging, wanneer u de rolstoel naar de afvalverwerking wilt brengen. (Dit kan inhouden dat u de stoel voor verwijdering naar de afvalverwerking moet schoonmaken en ontsmetten).

Aluminium: Vorken van zwenkwielen, wielen, frame zijkant, armsteunen, frame, beensteunen, duwhendels.

Staal: Bevestigingen, quick release as

Plastic: Handgrepen, dopjes van buizen, zwenkwielen, voetplaten, armsteunen en 12" wiel/band

Verpakking: Lage dichtheid polytheen zak, kartonnen doos.

Bekleding: Geweven polyester met PVC coating en geëxpandeerd gevormd schuim.

Afvalverwerking of recycling dient plaats te vinden via een erkende agent, afvalverwerking met vergunningen. Als alternatief kunt u uw rolstoel ook terugbrengen naar uw dealer voor verdere afvalverwerking.



12.0 Technische gegevens

Totale breedte:

Met standaard wielen, incl. hoepels, montage smal:
min. = 540 mm, max. = 720 mm

Totale hoogte:

min. = 750 mm, max. = 950

Totale lengte inclusief voetsteunen

min. = 935 mm, max. = 1075 mm.

Maximaal gebruikersgewicht: 125 kg, (100 kg met handbike as)

Gewicht in kg:

min. = 11 kg, max. = 15 kg
Zwaarste onderdeel (wiel) = 2,2kg
Voetsteun = 0,8 kg
Zijbescherming 1,3kg
Wiel (per stuk) = 2,2kg

ZIE OOK BLADZIJDE 4

13.0 Koppel

Tenzij anders is aangegeven, is de draaikracht (torque) voor de M6 schroeven 7 Nm.
Zie pagina 7 voor meer informatie

AANVULLENDE OPMERKINGEN

Overeenkomstig EN12183: 2009 zijn alle hier opgenoemde onderdelen (zitting, bekleding rugleuning, armkussens, zijbescherming, ...) vuurresistent zoals omschreven in EN1021-2.

De werking van de Dynamic beveiliging hangt af van de instellingen van de stoel, de capaciteiten van de gebruiker en de rijstijl. Omdat Sunrise Medical vooraf niet kan voorzien hoe de capaciteiten en rijstijl van de gebruiker is, kan de maximale veilig te nemen helling niet worden bepaald. Daarom moet dit door de gebruiker worden bepaald, samen met een begeleider, die kan voorkomen dat de rolstoel kantelt. Sunrise Medical adviseert onervaren gebruikers anti-tip wielen te laten installeren.

De rolstoel voldoet aan de volgende vereisten:

- Vereisten en testmethodes voor statische krachten, botskrachten en materiaalmoeheid (ISO 7176-8)
- Vereisten voor weerstand bij starten in overeenstemming met ISO 7176-16 (EN 1021-1)

Sommario





Definizioni	59
Prefazione	60
Utilizzo	60
Area di applicazione	60
1.0 Note generali sulla sicurezza e limitazioni di guida	61
2.0 Garanzia	62
3.0 Trasportabilità	63
4.0 Uso	65
5.0 Trasporto della carrozzina	65
6.0 Opzioni	65
Pedana per ribaltamento	65
Freni	65
Pedana	66
Regolazione dell'angolo pedana	68
Ruota anteriore	68
Schienale ad angolazione regolabile	69
Spondine	69
Maniglie di spinta	71
Maniglia di spinta	71
Ruotine antiribaltamento	71
Portastampelle	71
Cintura pelvica	72
Ruotine da transito	73
7.0 Copertoni e montaggio dei copertoni	73
8.0 Targhetta di identificazione	73
9.0 Manutenzione e cura	74
10.0 Risoluzione dei problemi	74
11.0 Smaltimento / Riciclaggio dei materiali	74
12.0 Dati tecnici	75
13.0 Coppia di serraggio	75

NOTA:

È possibile che le carrozzine illustrate e descritte nel presente manuale differiscano leggermente dal modello acquistato. Tuttavia, tutte le istruzioni sono pertinenti, a prescindere dalle differenze nei dettagli.

Il produttore si riserva il diritto di alterare senza preavviso i pesi, le misure e altri dati tecnici riportati nel presente manuale. Tutte le cifre, le misure e le capacità indicate nel presente manuale sono approssimative e non costituiscono delle specifiche.

Definizioni**3.1 Definizione dei termini usati in questo manuale**

Termine	Definizione
 AVVERTIMENTO!	Informa l'utilizzatore di possibili rischi di gravi lesioni o di decesso nel caso in cui la raccomandazione non venga seguita
 AVVERTENZA!	Informa l'utilizzatore di possibili rischi nel caso in cui la raccomandazione non venga seguita
 ATTENZIONE!	Informa l'utilizzatore dei possibili rischi all'apparecchiatura nel caso in cui la raccomandazione non venga seguita
NOTA:	Raccomandazione generale o procedura consigliata
	Riferimento a documentazione supplementare

NOTA:

Si prega di scrivere l'indirizzo e il numero di telefono del rivenditore autorizzato nello spazio apposito. In caso di guasto rivolgersi immediatamente al rivenditore autorizzato fornendo tutti i dettagli pertinenti in modo che possa trovare facilmente una soluzione.

Firma e timbro del rivenditore

Prefazione

Gentile utente,

ci congratuliamo con Voi per aver scelto un prodotto SUNRISE MEDICAL di alta qualità.

Questo manuale per l'uso contiene numerosi suggerimenti ed indicazioni che serviranno a rendere più familiare ed affidabile la Vostra carrozzina.

Per Sunrise Medical, una buona relazione con i clienti è di grande importanza. Desideriamo tenerVi al corrente sulle novità e gli sviluppi futuri della nostra azienda. Essere vicini ai clienti significa offrire servizi rapidi, ridurre il più possibile le pratiche burocratiche, collaborare con il cliente. Se un cliente ha bisogno di accessori o parti di ricambio, oppure ha un dubbio sulla sua carrozzina, noi siamo qui per offrire assistenza.

Desideriamo che siate soddisfatti dei nostri prodotti e dell'assistenza ricevuta. Sunrise Medical è costantemente impegnata a sviluppare ulteriormente i suoi prodotti. È quindi possibile che vengano apportate modifiche ai prodotti proposti e ai relativi modelli per quanto riguarda la forma, la tecnologia e l'equipaggiamento. Per questa ragione, eventuali reclami basati sui dati e sulle figure presenti in questo manuale d'uso non saranno accettati.

Il sistema di gestione di SUNRISE MEDICAL è certificato secondo gli standard EN ISO 9001, ISO 13485 e ISO 14001.



In qualità di fabbricante, SUNRISE MEDICAL dichiara che le carrozzine superleggere sono conformi alla linea guida 93/42/EEC / 2007/47/EEC.

Per qualsiasi domanda sull'uso, la manutenzione o la sicurezza della Vostra carrozzina Vi preghiamo di rivolgerVi al rivenditore autorizzato di prodotti SUNRISE MEDICAL della Vostra zona.

Se nella Vostra zona non è presente un rivenditore autorizzato, oppure se avete domande, potete contattare Sunrise Medical.

Sunrise Medical S.r.l.

Via Riva, 20 - Montale

29122 Piacenza

Italia

Tel.: 0039 0523 573111

Fax: 0039 0523 570060

www.SunriseMedical.com



PRIMA DI UTILIZZARE LA CARROZZINA,
LEGGERE ATTENTAMENTE IL PRESENTE
MANUALE.

Utilizzo

Le carrozzine sono destinate esclusivamente all'utilizzo, al chiuso e all'aperto, da parte di utenti non in grado di camminare o con mobilità limitata.

La portata massima (rappresentata dal peso dell'utente più il peso di eventuali accessori montati sulla carrozzina e di oggetti trasportati dall'utente) è indicata sull'etichetta del numero di serie, situata sulla crociera o sulla barra stabilizzatrice sotto la seduta.

La garanzia è valida soltanto se il prodotto viene impiegato alle condizioni prescritte e secondo le destinazioni d'uso specifiche. La durata prevista della carrozzina è 5 anni.

NON usare o montare componenti di altri produttori sulla carrozzina a meno che non siano stati approvati ufficialmente da Sunrise Medical.

ATTENZIONE!

- Non montare alcuna apparecchiatura elettronica non approvata.
- Non montare dispositivi di mobilità elettronici o meccanici, motori, handbike o altri dispositivi che possano modificare la destinazione d'uso o la struttura della carrozzina.
- Qualsiasi combinazione con altri dispositivi medici richiede l'approvazione di Sunrise Medical.

Area di applicazione

La varietà dell'equipaggiamento e la struttura modulare consentono l'impiego della carrozzina da parte di utenti non in grado di camminare o con mobilità limitata a causa di:

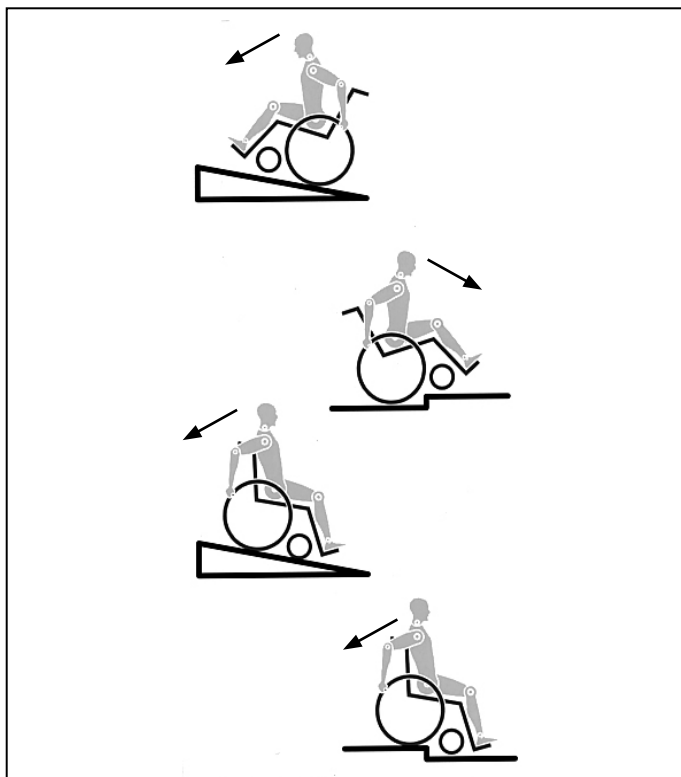
- Paralisi
- Perdita di uno o di entrambi gli arti inferiori (amputazione)
- Difetti/Deformità degli arti inferiori
- Contratture/Danni articolari
- Malattie di tipo cardiaco o circolatorio, disturbo dell'equilibrio o cachessia. È adatta anche per persone più anziane con forza sufficiente nella parte superiore del corpo.

Per la scelta del modello, occorre anche considerare la statura e il peso corporeo, le condizioni psicofisiche, l'età dell'utente e l'ambiente in cui vive.

Condizioni di utilizzo

La carrozzina può essere usata sia all'interno che all'esterno su superfici asciutte, solide e relativamente prive di asperità, in configurazione da autospinta o manovrata da accompagnatore. Se ne sconsiglia l'uso durante un temporale, in caso di pioggia battente, neve e ghiaccio o altre condizioni climatiche estreme.

1.0 Note generali sulla sicurezza e limitazioni di guida



La carrozzina è stata progettata e costruita per garantire la massima sicurezza dell'utente. Tutte le norme sulla sicurezza vigenti a livello internazionale vengono strettamente osservate se non addirittura superate. Ciononostante l'utente può trovarsi in situazioni di pericolo se la carrozzina viene utilizzata in modo non appropriato. Per garantire la Vostra sicurezza, è assolutamente necessario rispettare le seguenti regole. Modifiche o regolazioni eseguite in modo errato o da personale non autorizzato aumentano il rischio di incidenti. Quali utenti di una carrozzina, Voi prendete parte alla circolazione stradale. Per questo motivo desideriamo ricordarVi che avete l'obbligo di rispettare le regole vigenti sulla circolazione stradale. Se usate la carrozzina per la prima volta, guidate con prudenza. Familiarizzate con la nuova carrozzina. Prima di ogni spostamento, effettuare controlli sulle parti seguenti:

- asse delle ruote posteriori ad estrazione rapida
- velcro sulla superficie della seduta e sullo schienale
- copertoni, pressione degli pneumatici e freni.

Prima di procedere ad una qualsiasi modifica delle regolazioni, è importante leggere il relativo capitolo del manuale d'uso. È possibile che durante percorsi in salita o in discesa la carrozzina possa correre il rischio di ribaltarsi a causa di buche nel terreno o di un fondo irregolare. Per salire su un gradino o percorrere una salita frontalmente, consigliamo di piegare il corpo in avanti.

⚠ATTENZIONE!

- L'utente e gli oggetti eventualmente trasportati sulla carrozzina non devono MAI superare la portata massima di 125 kg, (100kg con asse handbike). Se si supera la portata massima, la carrozzina può danneggiarsi oppure l'utente può cadere, ribaltarsi o perdere il controllo e causare così lesioni gravi a se stesso o ad altre persone.
- In condizioni di oscurità, si raccomanda di indossare indumenti chiari o con applicazioni riflettenti per essere meglio visibili. Controllare che i catarifrangenti applicati sui lati e sul retro della carrozzina siano ben visibili. Si raccomanda anche di montare un fanale.

- Per evitare cadute e situazioni pericolose, esercitarsi inizialmente su un terreno pianeggiante con buona visibilità.
- Non utilizzare l'appoggiatesta per salire o scendere dalla carrozzina. Prima dell'operazione, ribaltare la pedana e ruotarla il più possibile verso l'esterno. Mettersi il più vicino possibile al luogo dove ci si vuole sedere.
- Utilizzare la carrozzina solamente nel modo corretto. Ad esempio, non cercare di superare un ostacolo (uno scalino o il bordo di un marciapiede) senza frenare ed evitare le buche.
- I freni non sono stati progettati per rallentare la carrozzina. Essi assicurano che le ruote della carrozzina non si muovano in modo inaspettato quando la carrozzina è ferma. Se ci si ferma su una superficie irregolare, azionare sempre il freno. Azionare sempre entrambi i freni al fine di evitare il ribaltamento della carrozzina.
- Se viene modificato il centro di gravità, osservare con attenzione come si comporta la carrozzina, ad esempio su pendii, superfici inclinate, pendenze di ogni tipo o quando si superano degli ostacoli. Durante questa operazione, chiedere l'aiuto di un assistente.
- In caso di regolazioni estreme (ad es. se la carrozzina è regolata con le ruote posteriori molto in avanti) e l'utente ha una postura errata, la carrozzina può ribaltarsi anche su una superficie piana.
- Inclinare il tronco in avanti se si sta percorrendo una salita o si deve salire un gradino.
- Sporgere il tronco all'indietro se si sta percorrendo una discesa o si deve scendere da un gradino. Non tentare di salire o scendere diagonalmente.
- Evitare l'uso delle scale mobili, in quanto si potrebbero subire lesioni gravi in caso di caduta.
- Non usare la carrozzina su pendii > 10°. La pendenza superabile in movimento dipende dalla configurazione della carrozzina, dalle capacità dell'utente e dallo stile di guida. Dal momento che non è possibile conoscere in anticipo le capacità dell'utente e il suo stile di guida, la pendenza superabile massima è un parametro che non può essere definito in anticipo e deve pertanto essere determinata dall'utente con l'aiuto di un accompagnatore per evitare di cadere. Si raccomanda agli utenti inesperti di montare le ruote antiribaltamento.
- È possibile che durante percorsi in salita o in discesa la carrozzina possa correre il rischio di ribaltarsi a causa di buche nel terreno o di un fondo irregolare.
- Non usare la carrozzina su terreni fangosi o ghiacciati. Non usare la carrozzina in aree vietate ai pedoni.
- Per evitare lesioni alle mani non infilare le dita tra i raggi o tra la ruota posteriore e il freno durante la guida.
- In particolare, quando si utilizzano corrimani in metallo leggero, le dita si surriscaldano facilmente se si frena ad una velocità elevata o su lunghe discese.
- Per salire le scale, chiedere assistenza. Utilizzare gli ausili eventualmente disponibili, ad esempio rampe o ascensori. Se questi ausili non sono disponibili, la carrozzina deve essere inclinata e spinta (mai sollevata) lungo la scala da due persone. Si raccomanda di evitare questa manovra con utenti di peso superiore ai 100 kg.
- Se sulla carrozzina sono montate le ruote antiribaltamento assicurarsi che siano regolate in modo che non urtino contro i gradini per evitare cadute. Se sulla carrozzina sono montate le ruote antiribaltamento assicurarsi che siano regolate in modo che non urtino contro i gradini per evitare cadute.
- Assicurarsi che l'accompagnatore tenga la carrozzina utilizzando solo le parti ben fissate (ad esempio non la pedana o le spondine).
- Quando si utilizza una rampa, assicurarsi che le ruote antiribaltamento siano posizionate in modo da non essere di intralcio.

- Su terreni impervi o in fase di trasferimento (ad esempio in auto) azionare i freni per bloccare la carrozzina.
- Se e quando possibile, durante il trasporto in un veicolo adeguato per il trasporto di disabili, usare il sedile e il sistema di ritenuta del veicolo. Questo è il solo modo per garantire la massima sicurezza all'utente in caso di incidente. Su un veicolo attrezzato al trasporto di disabili, usando i sistemi di ritenzione di SUNRISE MEDICAL e un sistema di sicurezza specifico, l'utente può rimanere seduto in carrozzina durante il trasporto (vedere il capitolo "Trasporto").
- A seconda del diametro e della regolazione delle ruote anteriori nonché del centro di gravità, le ruote anteriori possono vibrare a velocità elevate e quindi bloccarsi causando il ribaltamento della carrozzina. Assicurarsi pertanto che le ruote anteriori siano regolate correttamente (vedere la sezione "Ruote anteriori"). In particolare in discesa viaggiare a velocità ridotta e mantenere frenata la carrozzina. Gli utenti inesperti devono utilizzare le routine antiribaltamento.
- Le routine antiribaltamento impediscono alla carrozzina di ribaltarsi accidentalmente all'indietro. Non utilizzarle mai al posto delle ruote da transito o per trasportare un utente in carrozzina senza le ruote posteriori.
- Per raccogliere oggetti situati davanti, di lato o dietro la carrozzina, non sporgersi troppo dalla carrozzina perché se si cambia il centro di gravità si rischia di cadere o ribaltarsi. Il peso supplementare di uno zaino o altri oggetti appesi ai montanti verticali può influire sulla stabilità della carrozzina nella parte posteriore, specialmente quando si usa uno schienale reclinabile. Questo può causare il ribaltamento all'indietro della carrozzina con conseguente rischio di lesioni.
- Per gli utenti con amputazione sopra il ginocchio utilizzare le routine antiribaltamento.
- Prima di partire, controllare la pressione degli pneumatici. La pressione delle ruote posteriori deve essere almeno 3,5 bar (350 kPa). La pressione massima è indicata sullo pneumatico. I freni funzionano soltanto con un'adeguata pressione degli pneumatici ed una corretta regolazione (vedere il capitolo "Freni").
- Se il rivestimento della seduta o dello schienale risultasse danneggiato, sostituirlo immediatamente.
- Fare attenzione ad evitare il contatto con il fuoco, in particolare con sigarette. I rivestimenti del sedile e dello schienale potrebbero incendiarsi.
- Se la carrozzina è esposta alla luce diretta del sole per un lungo periodo di tempo, alcune parti (ad es. telaio, pedane, freni e protezioni laterali) potrebbero riscaldarsi eccessivamente (>41 °C).
- Controllare sempre che gli assi ad estrazione rapida sulle ruote posteriori siano montati correttamente e bloccati. Se il pulsante dell'asse ad estrazione rapida non viene premuto, la ruota posteriore non può essere rimossa.

AVVERTENZA!

- L'efficienza del freno, come anche la tenuta generale su strada, dipendono dalla pressione degli pneumatici. La carrozzina si manovra molto meglio e più facilmente quando le ruote posteriori sono gonfiate correttamente, entrambe alla stessa pressione.
- Controllare lo stato dei battistrada degli pneumatici! Quando si circola su strade pubbliche, si deve rispettare il codice di circolazione stradale.
- Fare attenzione a non schiacciarsi le dita quando si utilizza o si regola la carrozzina.

I prodotti illustrati e descritti nel presente manuale possono essere leggermente diversi nei dettagli dal modello in vostro possesso. Tuttavia tutte le istruzioni sono pertinenti, a prescindere dalle differenze nei dettagli.

Il produttore si riserva il diritto di alterare senza preavviso i pesi, le misure e altri dati tecnici riportati nel presente manuale. Tutte le cifre, le misure e le capacità indicate nel presente manuale sono approssimative e non costituiscono delle specifiche.

2.0 Garanzia

Garanzia

QUESTO NON HA ALCUN EFFETTO SUI VOSTRI DIRITTI LEGALI.

Condizioni della garanzia

1) La riparazione o la sostituzione delle parti in garanzia saranno eseguite da un tecnico o da un rivenditore autorizzato Sunrise Medical.

2) Qualora si rendesse necessario fare esaminare il prodotto durante il periodo di validità della garanzia, avvisare immediatamente il rivenditore autorizzato Sunrise Medical, fornendo tutte le informazioni relative al problema verificatosi. Nel caso in cui l'utente si trovi in una località lontana dalla sede del rivenditore Sunrise Medical di riferimento, la riparazione o la sostituzione prevista dalle condizioni di garanzia potrà essere eseguita da un altro rivenditore designato da Sunrise Medical.

3) Se è necessario fare riparare o sostituire una parte qualsiasi della carrozzina in seguito a un difetto di materiale o di fabbricazione specifico, entro 24 mesi (5 anni per il telaio o la crociera) dalla data di acquisto dell'acquirente originale, e sempre che il prodotto sia ancora di sua proprietà, la parte o le parti saranno riparate o sostituite gratuitamente se inviate al rivenditore autorizzato.

Nota: questa garanzia non è trasferibile.

4) Per qualsiasi componente riparato o sostituito, l'utente beneficerà di queste disposizioni per il periodo rimanente della garanzia applicabile alla carrozzina.

5) I componenti sostituiti dopo la scadenza della garanzia originale sono coperti per altri 12 mesi.

6) Le parti di consumo deperibili non saranno coperte da garanzia durante il normale periodo di garanzia a meno che non presentino chiari segni di logorio eccessivo dovuto direttamente a un difetto di produzione. Queste parti includono, ma non si limitano a: rivestimento di stoffa, pneumatici, camere d'aria e parti simili.

7) Le condizioni della garanzia riportate sopra sono valide per tutte le parti del prodotto, per i modelli acquistati a prezzo pieno.

8) In circostanze normali, non si accetta alcuna responsabilità qualora sia stato necessario riparare o sostituire il prodotto come risultato diretto dei seguenti fattori:

- a) Il prodotto o un suo componente non è stato mantenuto in buono stato, o non sono stati effettuati i necessari interventi di manutenzione, secondo le raccomandazioni del produttore, come indicato nel Manuale d'uso e/o nel Manuale tecnico. Non sono state usate solo parti originali.
- b) Il prodotto, o parte di esso, ha subito dei danni a causa di negligenza, incidente o uso improprio.
- c) Il prodotto, o parte di esso, è stato alterato rispetto alle specifiche del produttore, o le riparazioni sono state eseguite prima di aver avvisato il tecnico autorizzato.
- d) Il prodotto presenta segni di corrosione dovuti ad una cattiva manutenzione

3.0 Trasportabilità

ATTENZIONE!

Il rischio di gravi lesioni o di decesso aumenta pericolosamente se questa raccomandazione viene ignorata.

Trasporto della carrozzina su un veicolo:

Una carrozzina fissata su un veicolo non fornisce lo stesso livello di protezione e sicurezza del sedile del veicolo stesso. Si raccomanda di utilizzare sempre per l'utente il sedile del veicolo. Poiché non è sempre possibile trasferire l'utente sul sedile del veicolo, qualora sia necessario trasportare l'utente seduto in carrozzina, attenersi alle istruzioni seguenti:

1. Verificare che il veicolo sia dotato dell'equipaggiamento adatto per il trasporto di un passeggero seduto in carrozzina ed assicurarsi che le modalità di accesso al veicolo siano idonee al tipo di carrozzina. Il pianale del veicolo deve avere la resistenza necessaria per sostenere il peso complessivo dell'utente, della carrozzina e degli accessori.

2. Attorno alla carrozzina deve essere disponibile uno spazio sufficiente per consentire un facile accesso per agganciare, stringere e sganciare le cinghie di ancoraggio della carrozzina e le cinghie di ritenuta per l'utente.

La carrozzina occupata deve essere rivolta in avanti e fissata con la cinghia di ancoraggio della carrozzina e le cinghie di ritenuta per l'utente (sistemi WTORS che soddisfano i requisiti dello standard ISO 10542 o SAE J2249) in conformità alle istruzioni del produttore dei WTORS.

4. L'utilizzo della carrozzina in altre posizioni, all'interno di un veicolo non è stato testato. Ad esempio, non trasportare mai la carrozzina rivolta lateralmente (Fig. A).

5. La carrozzina deve essere fissata con un sistema di ritenuta ad ancoraggio a norma ISO 10542 o SAE J2249 con cinghie anteriori non regolabili e cinghie posteriori regolabili dotate generalmente di fermi Karabiner/ganci a S e supporti di fissaggio con fibbia e linguetta. Questi sistemi di ritenuta comprendono normalmente 4 cinghie separate da agganciare ciascuna ad un angolo della carrozzina.

6. Le cinghie di ancoraggio devono essere fissate al telaio centrale della carrozzina, come illustrato nell'immagine nella pagina seguente, e non ad altri attacchi o accessori, ad es. non attorno ai raggi delle ruote, ai freni o agli appoggiatesta.

7. Agganciare le cinghie di ancoraggio in modo che l'inclinazione sia il più vicino possibile a un angolo di 45° e stringerle bene seguendo le istruzioni del fabbricante.

8. Non effettuare alterazioni o sostituzioni dei punti di fissaggio o della struttura, del telaio o dei componenti della carrozzina senza consultare il fabbricante. La mancata osservanza di questa avvertenza farà sì che la carrozzina Sunrise Medical non sia più considerata idonea al trasporto su un veicolo a motore.

9. Usare sia la cintura pelvica sia la cintura toracica per assicurare l'utente e ridurre la possibilità di impatto della testa e del torace con i componenti del veicolo e il conseguente grave rischio di lesioni all'utente e agli altri occupanti del veicolo. (Fig. B) La cintura toracica deve essere fissata al montante "B" del veicolo; la mancata osservanza di questa istruzione può aumentare il rischio di gravi lesioni addominali all'utente.

10. Installare un appoggiatesta idoneo per il trasporto (si veda l'etichetta sull'appoggiatesta) e posizionarlo sempre adeguatamente durante il trasporto.

11. Non utilizzare come sistemi di ritenuta in un veicolo in movimento supporti posturali per l'utente (cinghie pelviche, cinture pelviche) che non siano etichettati a norma dei requisiti specificati nello standard ISO 7176-19:2001 o SAE J2249.

12. La sicurezza dell'utente durante il trasporto dipende dall'accuratezza impiegata nell'assicurare le cinghie di ancoraggio. Questa operazione deve essere eseguita da persone che abbiano ricevuto adeguate istruzioni e/o addestramento per l'uso.

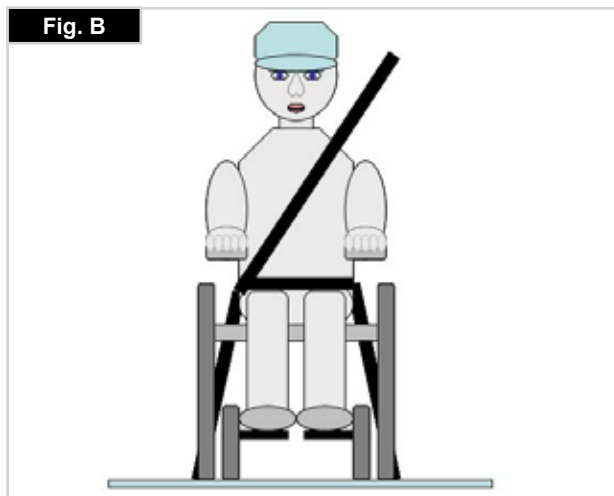
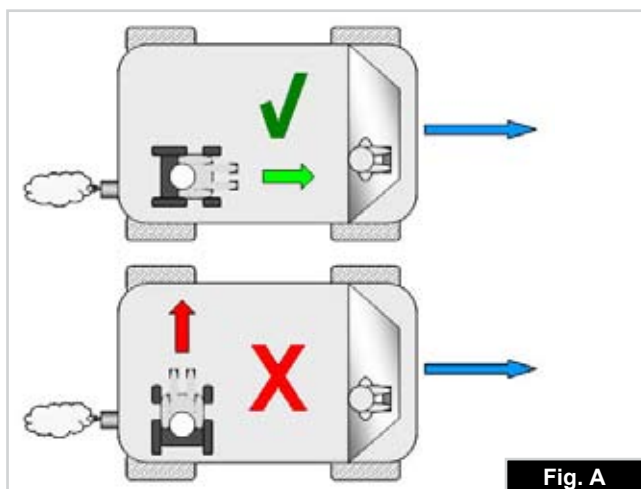
13. Quando possibile, rimuovere e riporre tutta l'attrezzatura ausiliaria della carrozzina, per esempio: portastampelle, cuscini e tavolini.

14. La pedana articolata/elevabile non deve essere usata in posizione elevata durante il trasporto di carrozzina e utente, con la carrozzina fissata mediante i sistemi di ritenuta idonei.

15. Se lo schienale è reclinato, riportarlo in posizione verticale.

16. Il freno deve essere attivato.

17. Fissare i sistemi di ritenuta al montante "B" del veicolo e assicurarsi che tra le cinture e il corpo non vi siano componenti della carrozzina, come braccioli o ruote.



Trasportabilità

Istruzioni per i sistemi di ritenuta dell'occupante:

1. Indossare la cintura pelvica bene in basso, contro il bacino, in modo che l'angolo in inclinazione sia compreso tra 30 e 75 gradi rispetto al piano orizzontale.

Si consiglia di regolare la cintura in modo che l'angolo sia il più vicino possibile a 75 gradi, ma non li superi. (Fig. C)

2. Far passare la cintura toracica sopra la spalla e lungo il torace come illustrato nelle Figure D ed E

Stringere le cinture di ritenuta il più possibile, assicurando al contempo il comfort dell'utente.

Assicurarsi che le cinture di ritenuta non si attorciglino durante l'uso.

Far passare la cintura di ritenuta della parte superiore del tronco sopra la spalla e lungo il torace come illustrato nelle Figure D ed E.

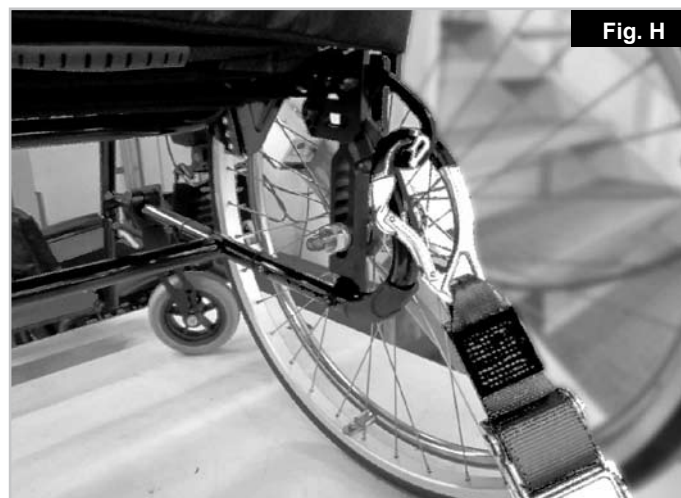
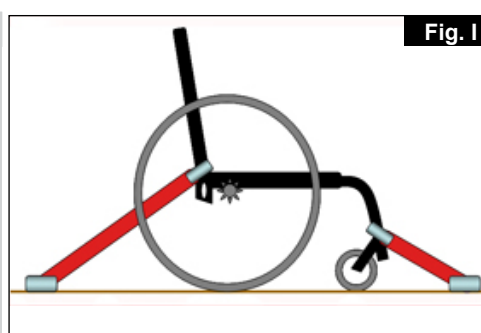
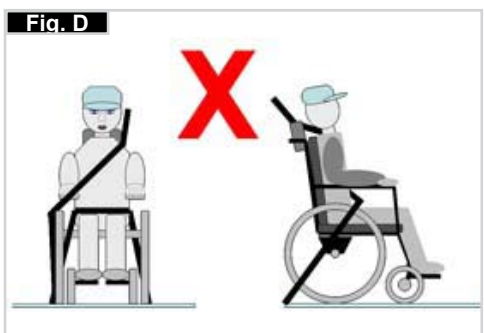
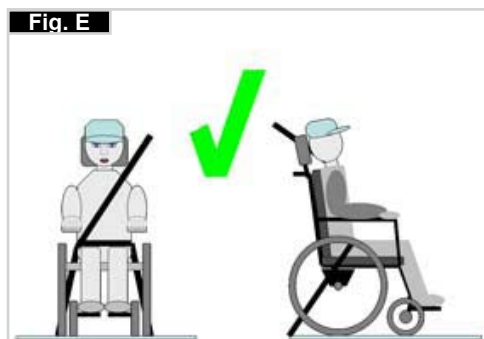
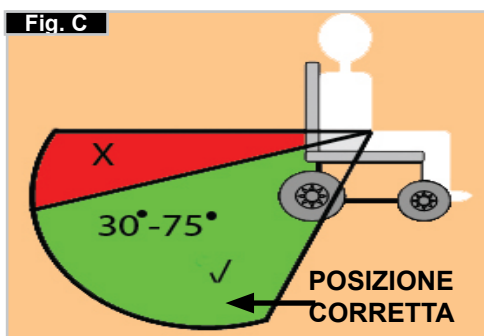
3. I punti di attacco alla carrozzina sono la parte laterale anteriore interna, appena sopra la ruota anteriore, e la parte laterale posteriore del telaio. Le cinghie sono fissate intorno alle parti laterali del telaio, al punto di intersezione tra i tubi orizzontali e verticali. (Vedere Figg. G-H-I)

4. Il simbolo di ancoraggio (Fig. F) sul telaio della carrozzina indica la posizione delle cinture di ritenuta. Le cinghie posteriori devono essere messe in tensione dopo avere fissato le cinghie anteriori per fissare la carrozzina.

Posizionamento delle cinghie di ancoraggio sulla carrozzina

1. Posizione delle etichette di ancoraggio anteriori e posteriori (Fig. G - H).

2. Vista laterale delle cinghie di ancoraggio (diagramma) (Fig. K).



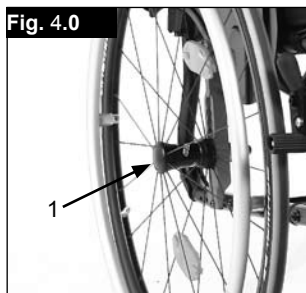
4.0 Uso

Assi ad estrazione rapida delle ruote posteriori

Le ruote posteriori sono dotate di assi ad estrazione rapida.

Le ruote possono essere estratte o inserite senza l'uso di utensili.

Per togliere una ruota basta premere il pulsante posizionato sull'asse ad estrazione rapida (1) ed estrarla (Fig. 3.0).



⚠ATTENZIONE!

Per montare le ruote posteriori, l'inserimento dell'asse ad estrazione rapida nel telaio deve avvenire premendo e tenendo premuto il relativo pulsante. Rilasciando il pulsante la ruota sarà ben inserita all'interno del suo supporto. Il pulsante di estrazione rapida deve ritornare nella posizione iniziale.

5.0 Trasporto della carrozzina

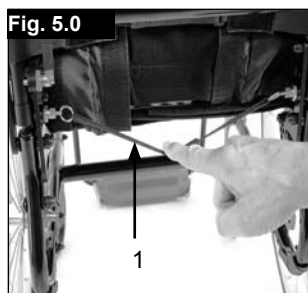
Trasporto della carrozzina

Rimuovere le ruote posteriori per ridurre il più possibile l'ingombro della carrozzina. Quindi piegare lo schienale tirando l'apposito cordino (1) situato sullo schienale (Fig. 5.0 + 5.1).

Per riportare lo schienale in posizione verticale, sollevarlo completamente fino a quando non scatta in posizione.

⚠AVVERTENZA!

Controllare che lo schienale sia correttamente bloccato in posizione prima di usare la carrozzina.



6.0 Opzioni

Pedana per ribaltamento

Questo ausilio aiuta l'accompagnatore ad inclinare la carrozzina per superare un ostacolo. Premere semplicemente con il piede sulla pedana e la carrozzina si inclinerà all'indietro per salire, ad esempio, sul cordolo di un marciapiede, (Fig. 5.0).

⚠ATTENZIONE!

Sunrise Medical raccomanda di utilizzare la pedana per il ribaltamento su tutti i modelli qualora si preveda l'intervento di un accompagnatore. I tubi dello schienale della carrozzina potrebbero danneggiarsi se vengono utilizzati ripetutamente come leva per il ribaltamento.

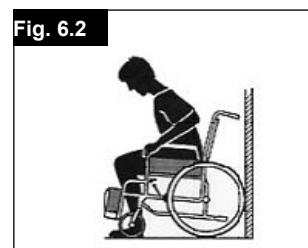
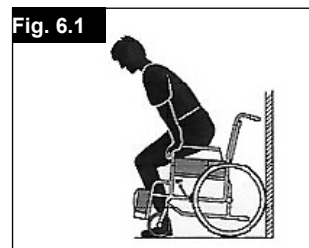


Come sedersi in carrozzina

- Spingere la carrozzina contro una parete o un mobile robusto.
- Azionare i freni;
- Sedersi sulla carrozzina;
- Sistemare i piedi davanti ai fermatalloncini (Fig. 6.1).

Come scendere dalla carrozzina

- Azionare i freni;
- Con una mano sulla ruota o sulla protezione laterale, piegarsi leggermente in avanti per spostare il peso del corpo sulla parte anteriore del sedile, quindi alzarsi dopo aver posizionato i piedi in modo stabile sul pavimento, uno dietro l'altro. (Fig. 6.2).



Freni

⚠ATTENZIONE!

L'efficienza dei freni può essere compromessa da un montaggio e da una regolazione non corretta, oltre che da pressione insufficiente degli pneumatici.

Freni

La carrozzina è dotata di due freni. I freni agiscono direttamente sugli pneumatici. Per bloccare la ruota, spostare in avanti entrambe le leve del freno sino al loro arresto. Per sbloccare la ruota, riportare le leve del freno nella posizione di partenza.

L'azione dei freni sarà ridotta in caso di:

- profilo consumato degli pneumatici
- insufficiente pressione degli pneumatici
- pneumatici bagnati
- freno regolato non correttamente.

I freni non sono stati progettati per essere azionati quando la carrozzina è in movimento. Non azionare mai i freni durante la guida. Frenare sempre aiutandosi con i corrimani. Verificare che la distanza tra il freno e lo pneumatico sia conforme alle specifiche. Per la regolazione, allentate la vite e regolate la distanza corretta. Avvitare di nuovo la vite (Fig. 6.3 e 6.4).



⚠ATTENZIONE!

Dopo ogni modifica della posizione delle ruote posteriori, controllare la regolazione dei freni e se necessario provvedere nuovamente alla loro regolazione.

Prolunga della leva dei freni

La leva più lunga aiuta a ridurre lo sforzo necessario per azionare i freni.

La prolunga è avvitata alla leva dei freni. Sollevandola, può essere spostata in avanti (Fig. 6.5).



⚠ATTENZIONE!

Se il freno è montato troppo vicino alla ruota sarà più difficile azionarlo. La prolunga potrebbe quindi rompersi a causa della maggiore pressione esercitata.

Non appoggiarsi sulla prolunga del freno mentre si sale e si scende dalla carrozzina, per evitare che si rompa. Gli spruzzi d'acqua provenienti dalle ruote possono causare il malfunzionamento dei freni.

⚠ATTENZIONE!

È necessario uno sforzo maggiore per azionare un freno montato in modo non corretto e provocarne la rottura.



Freni compatti

I freni compatti sono montati sotto il telaio del sedile e si azionano tirando la leva all'indietro, verso lo pneumatico. Per funzionare correttamente, la leva deve essere tirata fino a quando raggiunge il punto di arresto, (Fig. 6.6).

Freni a tamburo

I freni a tamburo permettono all'accompagnatore di frenare in modo funzionale e sicuro. Possono essere azionati con l'ausilio di una leva di blocco (1) per impedire qualsiasi spostamento indesiderato. Lo scatto della leva di blocco deve ben udibile. Freni a tamburo non dipendono dalla pressione dell'aria degli pneumatici. La carrozzina non può essere spostata con i freni a tamburo inseriti (Fig. 6.6.1).



Pedana

Appoggiapiedi - Alluminio

Sono disponibili vari tipi di appoggiapiedi. Gli appoggiapiedi possono essere sollevati per facilitare la salita e la discesa dalla carrozzina.



Lunghezza della pedana (Fig. 6.7)

La lunghezza della pedana può essere regolata svitando la vite di fermo (1). Allentare la vite di blocco, regolare la lunghezza del tubo in modo che la pedana si trovi nella posizione desiderata.

Stringere le viti di blocco (vedere la pagina relativa alla coppia di serraggio). Controllare che il giunto a pressione in plastica sia posizionato correttamente sotto la vite di blocco. Controllare che il giunto a pressione in plastica sia posizionato correttamente sotto la vite di blocco.

Appoggiapiedi - Alluminio

Sono disponibili vari tipi di appoggiapiedi. Gli appoggiapiedi possono essere sollevati per facilitare la salita e la discesa dalla carrozzina.

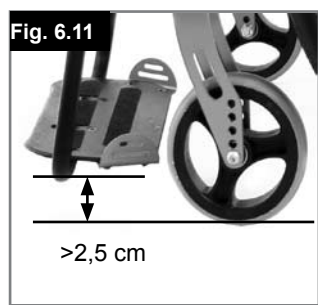
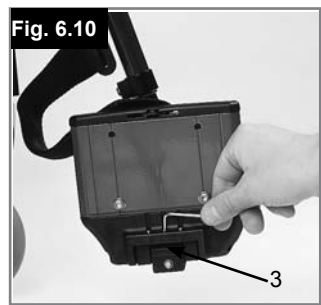
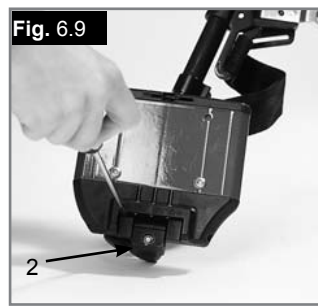
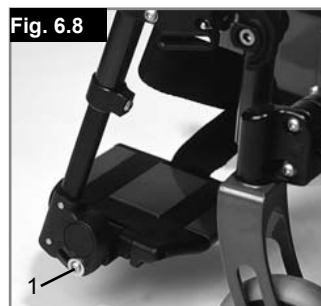
Appoggiapiedi regolabile in inclinazione

Gli appoggiapiedi separati possono essere sollevati per facilitare i trasferimenti in carrozzina, (Fig. 6.8 - 6.10). Può essere regolato per modificare l'angolazione rispetto al terreno. Stringere la vite (1) all'esterno. Allentando le clip (2) è possibile spostare l'appoggiapiedi in tre posizioni, in avanti o all'indietro. Regolando la vite di fermo (3) l'appoggiapiedi può essere portato in posizione orizzontale. Per fare ciò, l'appoggiapiedi deve essere sollevato. Dopo ogni regolazione, controllare che tutte le viti siano ben strette (vedere la pagina relativa alla coppia di serraggio). Verificare che sia mantenuta la distanza minima da terra (2,5 cm).

Appoggiapiedi - Plastico

Appoggiapiedi: Gli appoggiapiedi possono essere sollevati per facilitare i trasferimenti nella carrozzina.

Lunghezza della pedana: Per gli utenti con gambe lunghe abbassare la pedana all'altezza desiderata utilizzando le viti. Allentare le viti, sistemare i tubi nella posizione desiderata, quindi stringere le viti (vedere la sezione sulle coppie di serraggio). Devono esserci sempre almeno 2,5 cm tra la pedana e il terreno. (Fig. 6.11)



Pedana

Appoggiapiedi regolabile in inclinazione

Può essere regolato per modificare l'angolazione rispetto al terreno. Rimuovere la vite, tirare verso l'interno, impostare all'angolo desiderato e spingere nuovamente. Terminata la regolazione, stringere nuovamente la vite. Dopo ogni regolazione, controllare che tutte le viti siano ben strette (vedere la pagina relativa alla coppia di serraggio).

Verificare che sia mantenuta la distanza minima da terra (2,5 cm) (Fig. 6.12).

Fig. 6.12



Pedana e blocco

Le pedane possono essere ruotate verso l'interno, sotto la seduta, o verso l'esterno.

Quando si monta la pedana, assicurarsi che gli appoggiapiedi siano rivolti verso l'interno o verso l'esterno, quindi ruotarla verso l'interno fino a quando non si blocca in corrispondenza del bullone di bloccaggio. Per estrarla, tirare la leva (1), ruotare la pedana verso l'interno o verso l'esterno, quindi sollevarla per estrarla. Assicurarsi che la pedana sia correttamente bloccata in posizione (Fig. 6.13 - 6.13.1).

Fig. 6.13

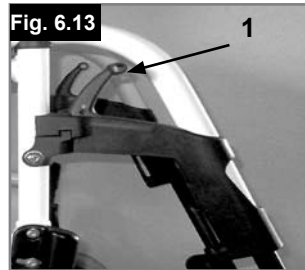
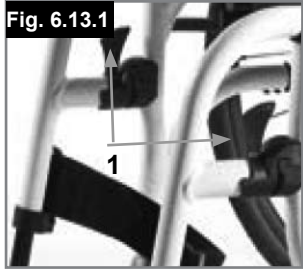


Fig. 6.13.1



⚠ AVVERTENZA!

- La pedane non devono essere usate per sollevare o trasportare la carrozzina.
- Non utilizzare l'appoggiapiedi per salire o scendere dalla carrozzina. Prima dell'operazione, ribaltare la pedana e ruotarla il più possibile verso l'esterno.

Pedana elevabile

(Fig. 6.14 - 6.16)

Per estrarla, tirare la leva (1), ruotare la pedana verso l'esterno, quindi staccarla.

Regolazione dell'altezza:

Allentando la vite (2) è possibile regolare la lunghezza della pedana con continuità. Regolare all'altezza desiderata e stringere la vite.

⚠ ATTENZIONE!

La distanza tra la pedana e il terreno deve essere di almeno 40 mm.

Regolazione dell'angolo:

Spingere la leva (3) verso il basso con una mano, sostenendo il peso dalla pedana con l'altra mano. Una volta raggiunto l'angolo desiderato, lasciare andare la leva per bloccare la pedana in una delle posizioni prestabilite.

⚠ AVVERTENZA!

- Tenere le mani lontano del meccanismo di regolazione tra il telaio e le parti mobili della pedana mentre si alza o si abbassa la pedana.
- Le pedane non devono essere usate per sollevare o trasportare la carrozzina.
- Fare attenzione a non schiacciarsi le dita!
- Quando si muove la pedana verso l'alto o verso il basso, non infilare le dita nel meccanismo di regolazioni tra le parti mobili.

FIG. 6.14

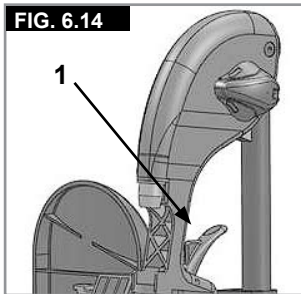
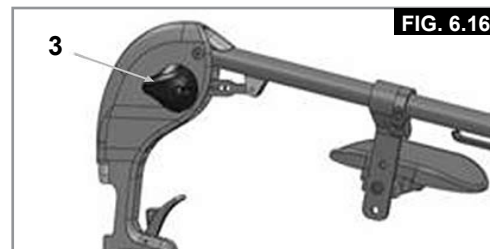
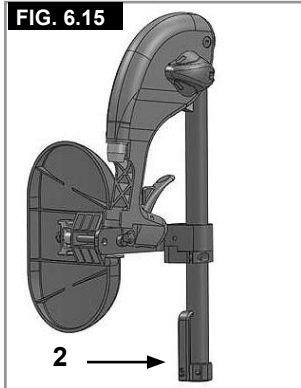


FIG. 6.15



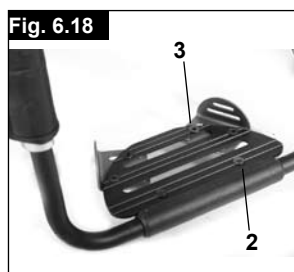
Regolazione dell'angolo pedana

Regolazione della pedana

⚠ AVVERTENZA!

- **Per l'accompagnatore: non appoggiarsi sull'appoggiapiedi! Esiste il rischio di ribaltamento e di conseguenti lesioni anche se l'utente è ancora seduto in carrozzina.**
- **Per l'utente: non appoggiarsi sull'appoggiapiedi durante il trasferimento per evitare il rischio di ribaltarsi e subire lesioni.**

Allentando la vite (1) è possibile regolare la pedana a seconda della lunghezza delle gambe e fissare di nuovo la pedana. L'angolazione della pedana è regolabile. Allentando le viti (2) l'angolazione della pedana può essere personalizzata. La protezione laterale (3) sulla pedana impedisce che i piedi scivolino involontariamente. Dopo ogni regolazione, controllare che tutte le viti siano ben strette (vedere la pagina relativa alla coppia di serraggio) (Fig. 6.17 - 6.18).



Pedana unica superleggera

L'angolo della pedana può essere regolato allentando le viti (2). La pedana può essere dotata di pannelli laterali protettivi inseriti nei fori di montaggio (3) per impedire che i piedi scivolino inavvertitamente, (Fig. 6.18.1). Dopo ogni regolazione, controllare che tutte le viti siano ben strette (vedere la pagina relativa alla coppia di serraggio).



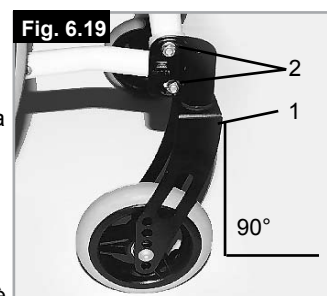
Ruota anteriore

Ruota anteriore, adattatore e forcella (Fig. 6.19)

È possibile che la carrozzina viri leggermente verso destra o sinistra o che sia presente una vibrazione nelle ruote anteriori.

I motivi possono essere i seguenti:

- il movimento della ruota in avanti o all'indietro non è stato correttamente regolato.
- l'angolo delle ruote anteriori non è regolato correttamente
- la pressione delle ruote posteriori e/o delle ruote anteriori non è corretta; le ruote non girano con facilità



Una regolazione corretta delle ruote anteriori è la condizione essenziale per il movimento rettilineo della carrozzina. La regolazione delle ruote anteriori deve essere sempre eseguita da un rivenditore autorizzato.

Se la posizione delle ruote posteriori viene modificata, la regolazione delle piastre delle ruote anteriori deve essere sempre verificata. Controllare l'impostazione dell'adattatore (1) avvicinando una squadra e osservando l'adattatore dal davanti. Verificare che l'adattatore sia impostato ad angolo retto rispetto al terreno. Svitando le viti (2) e muovendo l'adattatore è possibile spostare le ruote nella posizione ottimale mediante la regolazione dei segmenti dei denti corrispondenti. Dopo ogni regolazione, controllare che tutte le viti siano ben strette (vedere la pagina relativa alla coppia di serraggio).

Schienale ad angolazione regolabile

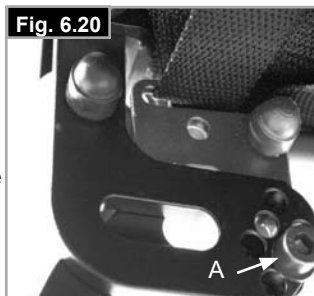
Schienale fisso ad angolazione regolabile (Fig. 6.20)

Per regolare lo schienale:

- Rimuovere i bulloni "A" ad entrambi i lati.
- Ruotare le staffe fino a portarle nelle posizioni desiderate.
- Inserire nuovamente i bulloni "A" e stringerli.

⚠ATTENZIONE!

Tutte le viti devono essere montate e strette in modo corretto per evitare movimenti inaspettati e conseguente perdita dell'assetto dell'angolazione.



Schienale pieghevole

Sbloccare lo schienale tirando il cordino e spingendo nello stesso tempo in avanti lo schienale per ripiegarlo. Per riportare lo schienale nella posizione iniziale, tirarlo indietro il più possibile fino a bloccarlo in posizione su entrambi i lati (Fig. 6.21 - 6.22).



Telo schienale regolabile

(Fig. 6.23)

La tensione del telo dello schienale regolabile può essere regolata agendo sulle cinghie in Velcro® lungo le fibbie (1). Una volta ottenuta la tensione desiderata, premere nuovamente sulle cinghie sul Velcro per unirle.

Ripetere l'operazione per ogni cinghia.

Il rivestimento dello schienale in tela è accessibile dall'interno attraverso un'apertura e può essere imbottito in base ai gusti personali.

⚠AVVERTENZA!

Assicurarsi che le cinghie siano tutte ben fissate prima di usare la carrozzina.



Spondine

Regolazione dell'altezza del bracciolo

Installazione: inserire il tubo del bracciolo nella sede situata sul telaio della carrozzina fino al punto di arresto

Regolazione dell'altezza:

Spostare il tubo del bracciolo nella sede.

Per regolare la posizione della staffa di regolazione dell'altezza (1), estrarre la vite (2) e spostare la staffa nella posizione desiderata. Inserire la vite e stringerla.

Infilare il tubo del bracciolo nella sede (Fig. 6.24).

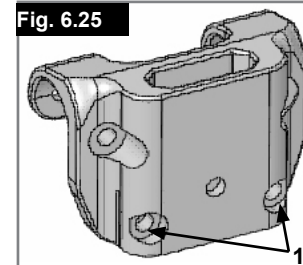
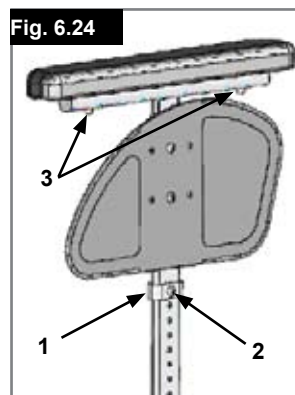
Posizione dell'imbottitura del bracciolo:

Per regolare la posizione dell'imbottitura del bracciolo, svitare le viti (3) e spostare l'imbottitura nella posizione desiderata.

Stringere le viti (Fig. 6.24).

Regolazione della sede del bracciolo

La rigidità della sede del bracciolo può essere regolata (stretta/allentata) mediante le 2 viti (1) - (Fig. 6.25).



Spondine

Braccioli a montante singolo regolabili in altezza

ATTENZIONE!

Non utilizzare le spondine o i braccioli per sollevare o trasportare la carrozzina.

1. Montaggio

- a. Spingere le guide esterne del bracciolo nella sede montata sul telaio della carrozzina.
- b. Il bracciolo si bloccherà automaticamente in posizione.

2. Regolazione dell'altezza

- a. Spostare la leva di sblocco per regolare l'altezza (2) nella seconda posizione.
- b. Spingere il supporto del bracciolo verso l'alto o verso il basso fino all'altezza desiderata.
- c. Impostare nuovamente la leva nella posizione di blocco contro le guide del bracciolo.
- d. Spingere il supporto (4) nelle guide fino a bloccarlo in posizione.

3. Rimuovere il bracciolo

- a. Tirare la leva 3 e sollevare tutto il bracciolo.

4. Inserire il bracciolo

- a. Infilare nuovamente il bracciolo nel morsetto fino a quando si blocca in posizione.

Componenti di montaggio per la sede del bracciolo

Regolazione del morsetto del bracciolo

Per stringere o allentare la parte esterna del morsetto del bracciolo:

1. Allentare le quattro viti di regolazione (D) sui lati del morsetto.
2. Con il bracciolo inserito, stringere il morsetto (E) fino a raggiungere l'accoppiamento desiderato.
3. Stringere le quattro viti (D). (16,3 Nm)

Regolazione della posizione

1. Svitare le due viti (10) fino ad allentare il morsetto.
2. Fare scorrere la sede del bracciolo nella posizione desiderata.
3. Stringere.

(Fig. 6.26 - 6.29).

1. Guide esterne del bracciolo
2. Regolazione dell'altezza della leva di blocco
3. Leva di blocco
4. Imbottitura del bracciolo
5. Barra per il trasferimento
6. Spondina
7. Ricevitore
8. Morsetto di regolazione
9. Componenti di regolazione della sede
10. Viti del morsetto

Fig. 6.26

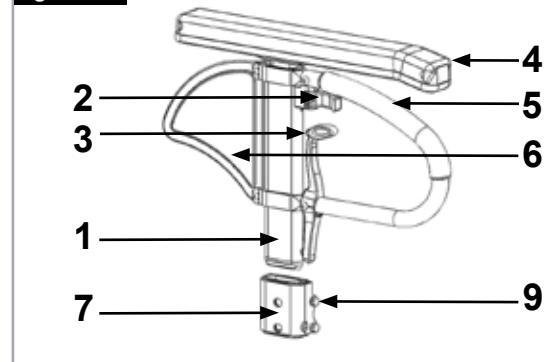


Fig. 6.27

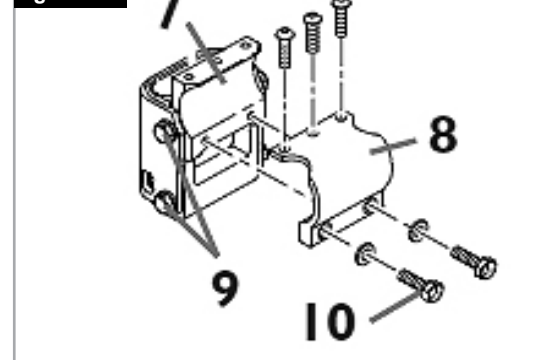


Fig. 6.28

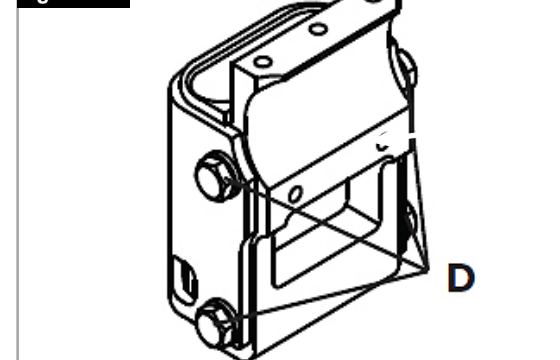
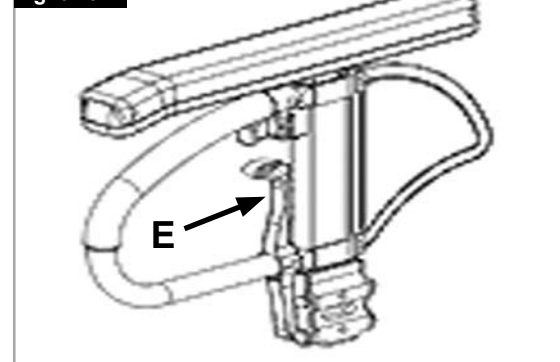


Fig. 6.29



Spondina con proteggiabiti (Fig. 6.30)

Il proteggiabiti evita che gli indumenti vengano sporcati da schizzi d'acqua. Muovendo la spondina, si può impostare la posizione in relazione alla ruota posteriore. Per fare ciò, rimuovere le viti di fissaggio (1 e 2). Dopo avere impostato la posizione desiderata, stringere nuovamente le viti (vedere la pagina relativa alla coppia di serraggio).

⚠ATTENZIONE!

Non utilizzare le spondine o i braccioli per sollevare o trasportare la carrozzina.

Maniglie di spinta**Maniglie di spinta regolabili in altezza (Fig. 6.31)**

Grazie ad un perno le maniglie di spinta non possono staccarsi involontariamente. Utilizzando la leva ad estrazione rapida è possibile regolare l'altezza delle maniglie di spinta a seconda delle esigenze. Spostando la leva potrete udire chiaramente l'attivazione del meccanismo di sblocco; ora potrete muovere facilmente la maniglia di spinta nella posizione desiderata. Il dado presente sulla leva di blocco determina il blocco delle maniglie di spinta. Se dopo la regolazione della leva di blocco il dado è allentato, anche la maniglia di spinta risulterà allentata. Prima dell'utilizzo muovere da una parte e dall'altra la maniglia di spinta in modo da verificare che sia bloccata nella posizione scelta. Dopo la regolazione dell'altezza della maniglia, bloccare sempre la leva di blocco. Se la leva di blocco non si trova nella posizione corretta, potrebbe essere pericoloso, ad esempio salire le scale.

Maniglia di spinta**Maniglie di spinta pieghevoli (Fig. 6.32)**

Quando le maniglie di spinta non sono utilizzate per spingere, possono essere ripiegate premendo il relativo pulsante (1). Per utilizzarle nuovamente, riportarle verso l'alto finché non si bloccano nella posizione corretta.

Ruotine antiribaltamento**Ruotine antiribaltamento (Fig. 6.33)**

Le ruotine antiribaltamento (1) offrono un'ulteriore sicurezza per gli utenti inesperti che stanno imparando ad usare la carrozzina. Le ruotine antiribaltamento (1) evitano che la carrozzina si ribalti all'indietro. La ruotina antiribaltamento (1) può essere ruotata verso il basso, spingendola, oppure ruotata in avanti. Mantenere una distanza da terra da 3 a 5 cm. Per salire o scendere da un gradino (ad es. il bordo di un marciapiede) le ruotine antiribaltamento devono essere ruotate in avanti per impedire che tocchino terra.

⚠AVVERTENZA!

Se le ruotine antiribaltamento sono posizionate in modo non corretto è più probabile che la carrozzina si ribalti all'indietro.

Portastampelle**Portastampelle (Fig. 6.34)**

Questo accessorio permette di trasportare le stampelle agganciandole alla carrozzina. Un cinturino di Velcro consente di fissare le stampelle.

⚠ATTENZIONE!

Non cercare mai di utilizzare o togliere le stampelle o altri ausili mentre la carrozzina è in movimento.

Fig. 6.30



Fig. 6.31



Fig. 6.32

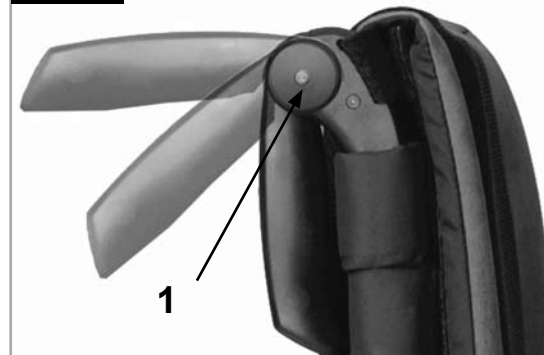


Fig. 6.33



Fig. 6.34




Cintura pelvica

⚠ AVVERTENZA!



- Prima di usare la carrozzina verificare che la cintura pelvica sia fissata in modo corretto.
- Controllare la cintura pelvica ogni giorno per verificare che non presenti segni di usura.
- Assicurarsi sempre che la cintura pelvica sia ben fissata e regolata prima dell'uso.
- Se la cintura è allentata eccessivamente, l'utente potrebbe scivolare in avanti e rischiare il soffocamento o lesioni gravi.

La cintura pelvica va fissata alla carrozzina come mostrato nelle figure. La cintura pelvica è composta da due parti. Esse vengono fissate utilizzando il bullone di fermo per il blocco del sedile infilato nell'occhiello della cintura. La cintura viene fatta passare sotto la parte posteriore del pannello laterale. Regolare la posizione della cintura in modo che le due parti della fibbia si trovino al centro della seduta. (Fig. 6.35 - 6.36)

Regolare la cintura pelvica per adattarla alle esigenze dell'utente nel modo seguente:

Per diminuire la lunghezza della cintura	Per aumentare la lunghezza della cintura
	
Far ripassare la cintura attraverso la fibbia maschio e le guide di regolazione. Controllare che la cintura non sia arrotolata sulla fibbia maschio.	Far passare la cintura attraverso le guide di regolazione e la fibbia maschio per allungare la cintura.

Quando si allaccia la cintura, controllare lo spazio tra la cintura e l'utente. Se la regolazione è corretta, deve essere possibile infilare una mano tra la cintura e l'utente. (Fig. 6.37). La cintura pelvica deve essere fissata in modo che la cinghia si trovi ad un angolo di circa 45 gradi attorno alla vita dell'utente. Se la cintura è regolata correttamente, l'utente deve essere seduto in posizione eretta il più possibile indietro sulla seduta. La cintura pelvica non deve consentire all'utente di scivolare dal sedile.

	
Per chiudere la fibbia: Inserire bene la fibbia maschio nella fibbia femmina.	Per slacciare la cintura: Fare pressione sulle parti esposte della fibbia maschio spingendole verso il centro, tirando contemporaneamente le due parti verso l'esterno.



⚠ AVVERTENZA!

- In caso di dubbi sull'uso e il montaggio della cintura pelvica, rivolgersi al personale sanitario, al rivenditore, all'assistente o all'accompagnatore.
- La cintura pelvica deve essere applicata solamente da un rivenditore/agente autorizzato Sunrise Medical. La cintura pelvica deve essere regolata solamente da un tecnico o da un rivenditore/agente autorizzato Sunrise Medical.
- Controllare la cintura pelvica ogni giorno per verificare che sia regolata correttamente e che non sia logora o danneggiata.
- Sunrise Medical consiglia di non trasportare una persona su un altro veicolo usando questa cintura pelvica come metodo di ritenuta. Fare riferimento al manuale sul Crash Test di Sunrise Medical per maggiori informazioni sul trasporto.

Manutenzione:

Controllare regolarmente la cintura pelvica e i componenti di fissaggio e assicurarsi che non siano logori o danneggiati. Se necessario, sostituirli.

NOTA:

Regolare la cintura pelvica in base alle necessità dell'utente come descritto precedentemente. Per evitare che l'utente allenti troppo la cintura, si consiglia di controllarne regolarmente la lunghezza e la posizione.

Ruotine da transito

Ruotine da transito (Fig. 6.38)

Le ruotine da transito vengono normalmente utilizzate quando la carrozzina con le ruote posteriori è troppo larga per passare in determinati spazi. Una volta che le ruote posteriori sono estratte con l'ausilio dell'asse ad estrazione rapida, è possibile proseguire la guida sulle ruotine da transito. Se non utilizzate, le ruotine da transito sono montate in modo tale da rimanere ad una distanza di 3 cm circa dal terreno. Non ostacolano le manovre di guida, di trasporto o di ribaltamento.

ATTENZIONE!

Quando si utilizzano le ruotine da transito, la carrozzina non dispone di alcun tipo di freno.

Fig. 6.38



7.0 Copertoni e montaggio dei copertoni

Gli pneumatici standard sono di gomma piena. Assicurarsi che la pressione degli pneumatici sia corretta per non compromettere le prestazioni della carrozzina. Se la pressione è troppo bassa, sarà necessario applicare una forza maggiore per muovere la carrozzina poiché la resistenza al rotolamento è maggiore. La manovrabilità della carrozzina ne risulterà compromessa. Se la pressione è troppo alta si rischia lo scoppio del pneumatico. La pressione corretta è riportata su ogni singolo copertone.

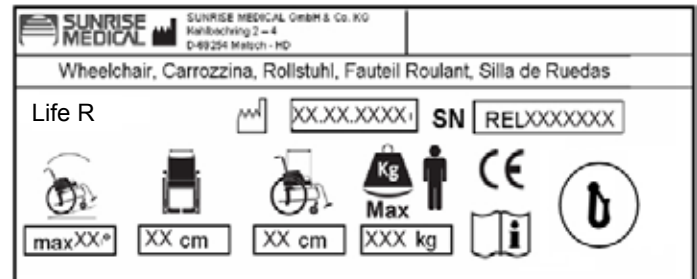
Il montaggio o la riparazione dei copertoni avviene come per qualsiasi tradizionale copertone da bicicletta. Prima del montaggio della nuova camera d'aria verificare che nel canale del cerchione e nella parete interna del copertone non siano presenti corpi estranei. Dopo il montaggio o la riparazione controllare la pressione del copertone. La regolazione della pressione ai valori indicati e il buono stato dei copertoni sono condizioni importanti per la sicurezza e per le prestazioni della carrozzina.

8.0 Targhetta di identificazione

Targhetta di identificazione

La targhetta di identificazione è applicata sulla crociera e anche riportata anche sul manuale d'uso. Su questa targhetta sono riportati i dati tecnici. In caso di ordine di ricambi o di reclamo è necessario comunicare i seguenti dati:

CAMPIONE



Life R
XXXXX-XXX

Nome del prodotto/codice articolo



La pendenza superabile massima dipende dall'assetto della carrozzina, dalla postura e dalle capacità fisiche dell'utente



Larghezza seduta



Profondità (massima).



Portata massima.



Marchio CE



Guida per l'utente.



Crash test



Data di produzione.



Numero di serie.

In linea con la nostra politica di continuo miglioramento nel design delle carrozzine, le specifiche del prodotto possono differire leggermente dagli esempi illustrati. I pesi, le dimensioni e i dati prestazionali sono approssimati e forniti solo a scopo indicativo.

Sunrise Medical è conforme ai requisiti della direttiva europea sui dispositivi medici 93/42/CEE



Tutte le carrozzine devono essere usate secondo le linee guida del produttore.

Sunrise Medical S.r.l.
Via Riva, 20 - Montale
29122 Piacenza
Italia
Tel.: +39 0523 573111
Fax: +39 0523 570060
www.SunriseMedical.com

9.0 Manutenzione e cura

Controlli per la sicurezza:

L'utente è la prima persona ad accorgersi di eventuali difetti. Ogni volta che si desidera usare la carrozzina, controllare prima quanto segue:

- Che la pressione delle ruote sia corretta.
- Che i freni funzionano correttamente.
- Che le parti rimovibili siano tutte ben fissate (p. es. braccioli, pedane, assi ad estrazione rapida ecc.).
- In caso di danni o difetti, contattare il rivenditore autorizzato di fiducia.

Manutenzione:

Controllare la pressione degli pneumatici ad intervalli regolari. Controllare l'usura o l'eventuale presenza di danni su tutti i copertoni ad intervalli regolari, almeno una volta all'anno. Sostituire gli pneumatici non appena si notano segni di usura o danni.

Controllare l'usura o l'eventuale presenza di usura o danni sui rivestimenti della seduta e dello schienale a intervalli regolari, almeno una volta all'anno. Sostituirli non appena si notano segni di usura o danni.

Controllare l'usura o l'eventuale presenza di usura o danni su tutti i componenti del telaio e dello schienale ad intervalli regolari, almeno una volta all'anno. Sostituirli non appena si notano segni di usura o danni.

Controllare l'usura o l'eventuale presenza di danni sui freni ad intervalli regolari, almeno una volta all'anno. Controllare il corretto funzionamento e la manovrabilità dei freni. Sostituire i freni non appena si notano segni di usura o danni.

Controllare che tutti i bulloni siano ben serrati (vedere la sezione relativa alla coppia di serraggio) ad intervalli regolari, almeno una volta all'anno. Tutte le viti che sono essenziali alla sicurezza della carrozzina durante l'uso sono dotate di dadi di sicurezza. I dadi di sicurezza devono essere utilizzati una sola volta e sostituiti dopo l'uso.

NOTA: Se sono fornite indicazioni sulle impostazioni della coppia di serraggio, si raccomanda di utilizzare un dispositivo di misurazione per verificare che il serraggio sia corretto.

Se la carrozzina è sporca, pulirla solamente con un detergente non corrosivo. Per la pulizia della fodera del sedile e della cintura pelvica utilizzare esclusivamente acqua e sapone.

A seconda della frequenza e del modo di utilizzo, si consiglia di sottoporre la carrozzina regolarmente, almeno una volta all'anno, ad un controllo da parte di personale specializzato presso un rivenditore autorizzato Sunrise Medical.

ATTENZIONE!

Sabbia, sale ed acqua marina possono danneggiare i cuscinetti delle ruote anteriori e posteriori. Pulire e asciugare la carrozzina con cura qualora sia stata esposta a questi elementi.

Igiene in caso di utilizzo da parte di un altro utente:

Prima che la carrozzina venga riutilizzata da un altro utente, prepararla adeguatamente, spolverando e trattando con disinfettante spray tutte le superfici che entrano a contatto con l'utente.

Se si ha poco tempo a disposizione, usare un disinfettante ad alcol rapido per prodotti o dispositivi medici.

Osservare le istruzioni del fabbricante per il disinfettante impiegato.

10.0 Risoluzione dei problemi

Carrozzina che tende a muoversi lateralmente

- Controllare la pressione dei copertoni
- Controllare il regolare rotolamento della ruota (cuscinetti, asse)
- Controllare l'angolazione delle ruote anteriori
- Controllare che entrambe le ruote anteriori siano a contatto con il terreno

Vibrazioni delle ruote anteriori

- Controllare l'angolazione delle ruote anteriori
- Controllare che le viti siano serrate correttamente; se necessario, stringerle nuovamente (vedere la sezione relativa alla coppia di serraggio)
- Controllare che entrambe le ruote anteriori siano a contatto con il terreno

La carrozzina cigola e scricchiola

- Controllare che le viti siano serrate correttamente; se necessario, stringerle nuovamente (vedere la sezione relativa alla coppia di serraggio)
- Applicare una quantità minima di lubrificante sulle giunzioni delle parti mobili

La carrozzina oscilla

- Controllare l'angolo di impostazione delle ruote anteriori
- Controllare la pressione dei copertoni
- Controllate che le ruote posteriori non siano state regolate in modo differente una dall'altra

11.0 Smaltimento / Riciclaggio dei materiali

NOTA: Se la carrozzina è stata messa a disposizione gratuitamente, potrebbe non essere di proprietà dell'utente. Se non è più necessaria, seguire le istruzioni fornite dall'organizzazione che ha messo a disposizione la carrozzina per la restituzione.

Di seguito vengono descritti i materiali usati per la carrozzina e l'imballaggio e come devono essere smaltiti e riciclati. Quando si organizza lo smaltimento, considerare gli eventuali regolamenti specifici in vigore localmente per lo smaltimento dei rifiuti o il riciclaggio. Questo può includere la pulizia o la disinfezione della carrozzina prima dello smaltimento.

Alluminio: forcelle, ruote, telai delle spondine, telai dei braccioli, telaio della pedana, maniglie di spinta

Acciaio: dispositivi di fissaggio, perni ad estrazione rapida

Plastica: maniglie, fermatubi, ruote anteriori, appoggiapiedi, imbottiture dei braccioli e ruote/pneumatici da 12"

Imballaggio: sacco in polietilene a bassa densità, scatola di cartone

Rivestimento: poliesteri tessuto con rivestimenti in PVC e schiuma modificata da combustione espansa.

Per lo smaltimento o il riciclaggio rivolgersi ad un centro di smaltimento autorizzato. In alternativa, la carrozzina può essere restituita al rivenditore per essere smaltita.



12.0 Dati tecnici

Larghezza totale:

Con ruote standard, compresi corrimani montati vicino:
min. = 540 mm, max. = 720 mm

Altezza totale:

min. = 750 mm, max. = 950

Lunghezza totale con pedana:

min. = 935 mm, max. = 1075 mm.

Portata massima: 125 kg, (100kg con asse handbike)

Pesi in kg:

min. = 11 kg, max. = 15 kg

Peso della parte più pesante (Ruota) = 2,2 kg

Appoggiatesta = 0,8 kg

Spondine = 1,3 kg

Ruota (al pezzo) = 2,2 kg

VEDERE ANCHE PAGINA 6

13.0 Coppia di serraggio

La coppia di serraggio per le viti M6 è 7 Nm, se non indicato diversamente.

Per ulteriori informazioni, fare riferimento alla pagina 7

NOTE AGGIUNTIVE

In conformità allo standard EN12183: 2009, tutte le parti qui elencate (teli seduta/schienale, imbottiture braccioli, pannelli laterali ecc.) sono resistenti al fuoco ai sensi della norma EN1021-2.

La pendenza superabile in movimento dipende dalla configurazione della carrozzina, dalle capacità dell'utente e dallo stile di guida. Dal momento che non è possibile conoscere in anticipo le capacità dell'utente e il suo stile di guida, la pendenza superabile massima è un parametro che non può essere definito in anticipo e deve pertanto essere determinata dall'utente con l'aiuto di un accompagnatore per evitare cadute. Si raccomanda agli utenti inesperti di montare le ruote antiribaltamento.

La carrozzina è conforme ai seguenti standard:

- a) Requisiti e norme per la resistenza statica, resistenza all'urto e all'usura (ISO 7176-8)
- b) Requisiti di resistenza all'inflammabilità conformi allo standard ISO 7176-16 (EN 1021-1)



Sunrise Medical GmbH & Co. KG
Kahlbachring 2-4
69254 Malsch/Heidelberg
Deutschland
Tel.: +49 (0) 7253/980-400
Fax: +49 (0) 7253/980-111
www.SunriseMedical.de

Sunrise Medical
Thorns Road
Brierley Hill
West Midlands
DY5 2LD
Phone: 0845 605 66 88
Fax: 0845 605 66 89
www.SunriseMedical.com

Sunrise Medical S.L.
Poligono Bakiola, 41
48498 Arrankudiaga – Vizcaya
España
Tel.: +34 (0) 902142434
Fax: +34 (0) 946481575
www.SunriseMedical.es

ZAC de la Vrillonnerie
17 Rue Michael Faraday
37170 Chambray-Lès-Tours
France
Tel : 02 47 55 44 00
Fax : 02 47 55 44 03
www.SunriseMedical.fr

Sunrise Medical Srl
Via Riva 20, Montale
29100 Piacenza (PC)
Italy
Tel.: +39 0523-573111
Fax: +39 0523-570060
www.SunriseMedical.com

Sunrise Medical A.G.
Lückhalde 14
3074 Muri bei Bern
Switzerland
Tel.: +41 (0) 31-958-3838
Fax: +41 (0) 31-958-3848
www.SunriseMedical.ch

Sunrise Medical AS
Dynamitveien 14B
1400 SKI
Norway
Tel.: +47 (0) 66963800
Fax: +47 (0) 66963838
www.SunriseMedical.no

Sunrise Medical AB
Box 9232
400 95 Göteborg
Sweden
Tel: +46 (0)31 748 37 00
Fax: +46 (0)31 748 37 37
www.SunriseMedical.sv

Sunrise Medical B.V.
Groningenhaven 18-20
3433 PE NIEUWEGEIN
The Netherlands
T: +31 (0)30 – 60 82 100
F: +31 (0)30 – 60 55 880
E: info@sunrisemedical.nl
www.SunriseMedical.nl

G2 A/S
Graham Bells Vej 21-23 A
8200 Aarhus N
Denmark
Tel.: +45 87 41 31 00
Fax: +45 87 41 31 31
www.G2.dk

Sunrise Medical Poland Sp. z o.o.
ul. Elektronowa 6,
94-103 Łódź
Polska
Telefon: + 48 42 209 36 67
Fax: + 48 42 209 35 23
E-mail: pl@sunrisemedical.de
Sunrise-Medical.pl